

Committed to Providing Quality Products
with the Best Service

Uflow[®]
Automation
INDIA

Automation
Simplified...



Solenoid Valve

Angle Seat Valve

Rotary Coupling

Pneumatic Directional Control Valve

Actuator

Cylinder

One Touch Fitting

Ball Valve

Butterfly Valve



Country of Origin - INDIA



COMPANY PROFILE

Uflow Automation is an engineering organization committed to provide complete solutions to customer's requirements. We are established in the year 2007 and progressing with a vision of applying finest engineering practices in valve manufacturing industry by our restless and high skilled **ENGINEERS**, standard organizational **PROCESSES** and superior quality **PRODUCTS**.

We are leading in solenoid valve manufacturing company in India, Know as **UFLOW** our range of products include - Pilot Operated Diaphragm Type Valves, Pneumatically Control Valves, Gas Solenoid valves, High Pressure Valves, Industrial Valves, Pneumatic Directional Control Valves, Rotary Coupling and Actuators. Our products are sold across INDIA and being exported outside India in various other countries.

Our Quality	Our Commitment	About Us
<ul style="list-style-type: none"> <input checked="" type="checkbox"/> In-House full scale testing facility. <input checked="" type="checkbox"/> Lean manufacturing practices / six sigma, kaizen, 5S. <input checked="" type="checkbox"/> Certified by : ISO 9001:2015 (TUV Nord), CE, ERDA, CIMFR, BIS, PESO. 	<ul style="list-style-type: none"> <input checked="" type="checkbox"/> To understand customer's need first before proposing our products. <input checked="" type="checkbox"/> To keep on providing competitive rate's by adapting to continuous process improvement, without compromising on quality. <input checked="" type="checkbox"/> To provide continuous support to our customers and go beyond their expectations in terms of delivery and after sale services. 	<ul style="list-style-type: none"> <input checked="" type="checkbox"/> In house R&D, manufacturing and testing facility is all located in a single premise at Rajkot Gujarat India. <input checked="" type="checkbox"/> Authorized channel partners in 20 different states in India. <input checked="" type="checkbox"/> Sales office in the UAE, Germany, Chile, Australia (Expanding).

We started building our products for a specific market segment and over the period of time we progressed to built it for various sectors that includes:

- | | | | | | |
|---|---|--|---|--|--|
| <input checked="" type="checkbox"/> Textile | <input checked="" type="checkbox"/> Water Treatment | <input checked="" type="checkbox"/> Energy & Power | <input checked="" type="checkbox"/> Packaging | <input checked="" type="checkbox"/> Pharmaceutical | <input checked="" type="checkbox"/> Oil & Gas |
| <input checked="" type="checkbox"/> Nuclear | <input checked="" type="checkbox"/> Marine | <input checked="" type="checkbox"/> Chemical | <input checked="" type="checkbox"/> Food and Beverage | <input checked="" type="checkbox"/> Steel & Cement | <input checked="" type="checkbox"/> Automotive |

We stand amongst the pioneers of the industry because of our following competitive advantages:

- Total quality management allow us to maintain the quality of our products,
- We follow genuine customer relationship policy and that help us to build trusted relationships.
- We believe in timely delivery and consistent quality standard, and this is possible due to the state of the art testing facility, that ensures our customers don't have any complains.
- Innovative products range with sophisticated and latest technology.
- Qualified customer service team, facilitate with the customers to resolve their respective query. Also feel free to ask for our customer references and product samples.

Uflow's Quality control is based on the platform of stringent process control by elimination of production variances; by a computerized integrated system we are able to guarantee the quality of products, and by recording each production step to ensure effective data analysis as well as a complete and efficient traceability of both components and finished products. This practice helps us in maintaining standards of high competitiveness in the marketplace.

Note: *For Any Other Information Contact Uflow.
* All Information may change without prior notice.

Index

Pneumatic Valve	01
3/2 Single Solenoid Poppet Valve (Normally Close)	05
5/2 Single Solenoid Directional Control Poppet Valve (Monostable)	06
3/2 X 5/2 Convertible Single Solenoid Directional Control Namur Poppet Valve (Monostable)	07
5/2 Double Solenoid Directional Control Poppet Valve (Bistable)	08
3/2 Single Solenoid Directional Control Poppet Valve	09
3/2 Single Solenoid Namur Poppet Valve	10
3 Way Direct Acting Namur Poppet Type Valve	11
3 Way Direct Acting Poppet Type Valve	12
3 Way Direct Acting Poppet Type Valve (Universal)	13
Pilot Operated Diaphragm Type Solenoid Valve (PCN Series)	14
Pilot Operated Diaphragm Type Solenoid Valve (PBN Series)	15
Pilot Operated Piston Type Steam Valve (HCP Series)	16
Semi Lift Diaphragm Operated Solenoid Valve (MCN & MBN Series)	17
Gas Solenoid Valve	18
2/2 Way Direct Acting Solenoid Valve	19
3/2 Way Direct Acting Solenoid Valve	22
Pulse Jet Angle Type Dust Collector Valve (JAN Series)	24
Solenoid Coils	25
Angle Seat Valve with Plastic Actuator Operated (ACP Series)	26
Angle Seat Valve with Steel Actuator Operated (YCP Series)	29
Screwed / Socket Weld Ball Valve	30

Index

3 Piece Flange Ball Valve	31
Wafer Type Butterfly Valve	32
Lug Type Butterfly Valve	36
Rotary Quarter Turn Pneumatic Actuator	40
Micro Limit Switch	42
Roto Seal Coupling	43
One Touch Fittings	44
Polyurethane Tubes	48
Pneumatic Air Cylinder Double Acting (As per ISO 15552 / VDM A 24562 standards)	49
External Pilot Operated Diaphragm Valve (Normally Close/Open)	50
2 Way - 3 Way Direct Acting Pilot Solenoid Valve (Normally Close/Open)	51
Semi Lift Diaphragm Operated Plastic Solenoid Valve (Normally Close)	52
Pilot Operated Diaphragm Type Plastic Solenoid Valve (Normally Close)	53
Proportional Flow Control Solenoid Valve - MINI (Low Flow)	54
Proportional Flow Control Solenoid Valve - MAX (High Flow)	55
Medical Oxygen Regulator	56



**PNEUMATIC VALVE
SERIES**

Model Information

Type :	Solenoid Operated, Lever Operated, Pilot Air Operated, Push Pull (3X2, 5X2, 5X3 & NC / NO)
Design :	Spool With Cartridge Type
Media :	Compressed Air (Filtered & Lubricated)
Working Pressure Range :	2 - 10 Bar
Ambient / Media Temperature	5°C - 60°C
Media	Aluminium, Nitrile, Brass, Polymer

Coil Information

Coil Width :	26 mm
Coil Bore :	10 mm
Voltage (V) ± 10% :	AC (50Hz, 60Hz) - 24V, 110V, 230V DC 12V, 24V, 36V, 48V, 110V
Power Consumption :	AC-6W, DC-6W
Duty Cycle :	Continuous
Class of Insulation :	Class H
Type of Coil Protection :	IP65

FEATURES

- Cartridge Type Design For Long Life
- Compact Design
- Standard NAMUR Mounting
- 1 Million Cycle Tested
- Low Power Consumption
- Manual Override
- Lubrication Not Essential
- Wide Range Of Coil Voltage

3X2, 5X2 Single solenoid valve with spring return



1 - Input, 2/4 - Output, 3/5 - Exhaust

Model No.	Flow (at 6 Bar)	Port Size			Function	Symbol
		In	Out	Exh		
SSA1BN23CT060V0	1200 LPM	¼"	¼"	¼"	Spring Return (NC)	
STA1BN23CT060V0	1200 LPM	¼"	¼"	¼"	Spring Return (NO)	
SFA1BN23CT060V0	1200 LPM	¼"	¼"	⅝"	Spring Return	
SSA2BN23CT120V0	3500 LPM	½"	½"	½"	Spring Return (NC)	
STA2BN23CT120V0	3500 LPM	½"	½"	½"	Spring Return (NO)	
SFA2BN23CT120V0	3500 LPM	½"	½"	½"	Spring Return	

3X2, 5X2 Double solenoid valve



1 - Input, 2/4 - Output, 3/5 - Exhaust

Model No.	Flow (at 6 Bar)	Port Size			Function	Symbol
		In	Out	Exh		
SVA1BN23CT060V0	1200 LPM	¼"	¼"	¼"	Double Solenoid	
SDA1BN23CT060V0	1200 LPM	¼"	¼"	⅝"	Double Solenoid	
SVA2BN23CT120V0	3500 LPM	½"	½"	½"	Double Solenoid	
SDA2BN23CT120V0	3500 LPM	½"	½"	½"	Double Solenoid	

3X2, 5X2 Single solenoid namur valve with spring return



1 - Input, 2/4 - Output, 3/5 - Exhaust

Model No.	Flow (at 6 Bar)	Port Size			Function	Symbol
		In	Out	Exh		
SSA1RN23CT060V0	1200 LPM	¼"	Namur	¼"	3X2 Spring Return	
SFA1RN23CT060V0	1200 LPM	¼"	Namur	¼"	5X2 Spring Return	

3X2, 5X2 Double solenoid namur valve



Model No.	Flow (at 6 Bar)	Port Size			Function	Symbol
		In	Out	Exh		
SVA1RN23CT060V0	1200 LPM	¼"	Namur	⅝"	3X2 Double Solenoid	
SDA1RN23CT060V0	1200 LPM	¼"	Namur	⅝"	5X2 Double Solenoid	

1 - Input, 2/4 - Output, 3/5 - Exhaust

5X3 Double solenoid valve with spring center



Model No.	Flow (at 6 Bar)	Port Size			Function	Symbol
		In	Out	Exh		
SBA1BN23CT060V0	1200 LPM	¼"	¼"	⅝"	Center Blocked	
SEA1BN23CT060V0	1200 LPM	¼"	¼"	⅝"	Center Exhausted	
SPA1BN23CT060V0	1200 LPM	¼"	¼"	⅝"	Center Pressurised	
SBA2BN23CT120V0	3500 LPM	½"	½"	½"	Center Blocked	
SEA2BN23CT120V0	3500 LPM	½"	½"	½"	Center Exhausted	
SPA2BN23CT120V0	3500 LPM	½"	½"	½"	Center Pressurised	

1 - Input, 2/4 - Output, 3/5 - Exhaust

3X2 Hand lever valve manual and spring return



Model No.	Flow (at 6 Bar)	Port Size			Function	Symbol
		In	Out	Exh		
LSA1BN04V0	1200 LPM	¼"	¼"	¼"	Spring Return(NC)	
LTA1BN04V0	1200 LPM	¼"	¼"	¼"	Spring Return(NO)	
LVA1BN04V0	1200 LPM	¼"	¼"	¼"	Manual Return	
LSA2BN04V0	3500 LPM	½"	½"	½"	Spring Return(NC)	
LTA2BN04V0	3500 LPM	½"	½"	½"	Spring Return(NO)	
LVA2BN04V0	3500 LPM	½"	½"	½"	Manual Return	

1 - Input, 2/4 - Output, 3/5 - Exhaust

5X2 Hand lever valve manual and spring return



Model No.	Flow (at 6 Bar)	Port Size			Function	Symbol
		In	Out	Exh		
LFA1BN04V0	1200 LPM	¼"	¼"	⅝"	Spring Return	
LDA1BN04V0	1200 LPM	¼"	¼"	⅝"	Manual Return	
LFA2BN04V0	3500 LPM	½"	½"	½"	Spring Return	
LDA2BN04V0	3500 LPM	½"	½"	½"	Manual Return	

1 - Input, 2/4 - Output, 3/5 - Exhaust

5X3 Hand lever valve manual return



1 - Input, 2/4 - Output, 3/5 - Exhaust

Model No.	Flow (at 6 Bar)	Port Size			Function	Symbol
		In	Out	Exh		
LBA1BN04V0	1200 LPM	¼"	¼"	⅝"	Center Blocked	
LEA1BN04V0	1200 LPM	¼"	¼"	⅝"	Center Exhausted	
LPA1BN04V0	1200 LPM	¼"	¼"	⅝"	Center Pressurised	
LBA2BN04V0	3500 LPM	½"	½"	½"	Center Blocked	
LEA2BN04V0	3500 LPM	½"	½"	½"	Center Exhausted	
LPA2BN04V0	3500 LPM	½"	½"	½"	Center Pressurised	

5X3 Hand lever valve with spring center



1 - Input, 2/4 - Output, 3/5 - Exhaust

Model No.	Flow (at 6 Bar)	Port Size			Function	Symbol
		In	Out	Exh		
LKA1BN04V0	1200 LPM	¼"	¼"	⅝"	Center Blocked	
LHA1BN04V0	1200 LPM	¼"	¼"	⅝"	Center Exhausted	
LRA1BN04V0	1200 LPM	¼"	¼"	⅝"	Center Pressurised	
LKA2BN04V0	3500 LPM	½"	½"	½"	Center Blocked	
LHA2BN04V0	3500 LPM	½"	½"	½"	Center Exhausted	
LRA2BN04V0	3500 LPM	½"	½"	½"	Center Pressurised	

3X2 External pilot operated valve



1 - Input, 2/4 - Output, 3/5 - Exhaust, 10/12 - External Pilot

Model No.	Flow (at 6 Bar)	Port Size			Function	Symbol
		In	Out	Exh		
ASA1BN04V0	1200 LPM	¼"	¼"	¼"	Spring Return(NC)	
ATA1BN04V0	1200 LPM	¼"	¼"	¼"	Spring Return(NO)	
AVA1BN04V0	1200 LPM	¼"	¼"	¼"	Double External	
ASA2BN04V0	3500 LPM	½"	½"	½"	Spring Return(NC)	
ATA2BN04V0	3500 LPM	½"	½"	½"	Spring Return(NO)	
AVA2BN04V0	3500 LPM	½"	½"	½"	Double External	

5X2 External pilot operated valve



1 - Input, 2/4 - Output, 3/5 - Exhaust, 10/12 - External Pilot

Model No.	Flow (at 6 Bar)	Port Size			Function	Symbol
		In	Out	Exh		
AFA1BN04V0	1200 LPM	¼"	¼"	⅙"	Spring Return	
ADA1BN04V0	1200 LPM	¼"	¼"	⅙"	Double External	
AFA2BN04V0	3500 LPM	½"	½"	½"	Spring Return	
ADA2BN04V0	3500 LPM	½"	½"	½"	Double External	

5X3 Double external pilot operated valve with spring center



1 - Input, 2/4 - Output, 3/5 - Exhaust, 10/12 - External Pilot

Model No.	Flow (at 6 Bar)	Port Size			Function	Symbol
		In	Out	Exh		
AKA1BN04V0	1200 LPM	¼"	¼"	⅙"	Center Blocked	
AHA1BN04V0	1200 LPM	¼"	¼"	⅙"	Center Exhausted	
ARA1BN04V0	1200 LPM	¼"	¼"	⅙"	Center Pressurised	
AKA2BN04V0	3500 LPM	½"	½"	½"	Center Blocked	
AHA2BN04V0	3500 LPM	½"	½"	½"	Center Exhausted	
ARA2BN04V0	3500 LPM	½"	½"	½"	Center Pressurised	

3X2 Push pull valve manual and spring return



1 - Input, 2/4 - Output, 3/5 - Exhaust

Model No.	Flow (at 6 Bar)	Port Size			Function	Symbol
		In	Out	Exh		
PSA1BN04V0	1200 LPM	¼"	¼"	¼"	Spring Return(NC)	
PTA1BN04V0	1200 LPM	¼"	¼"	¼"	Spring Return(NO)	
PVA1BN04V0	1200 LPM	¼"	¼"	¼"	Manual Return	
PSA2BN04V0	3500 LPM	½"	½"	½"	Spring Return(NC)	
PTA2BN04V0	3500 LPM	½"	½"	½"	Spring Return(NO)	
PVA2BN04V0	3500 LPM	½"	½"	½"	Manual Return	

5X2 Push pull valve manual and spring return

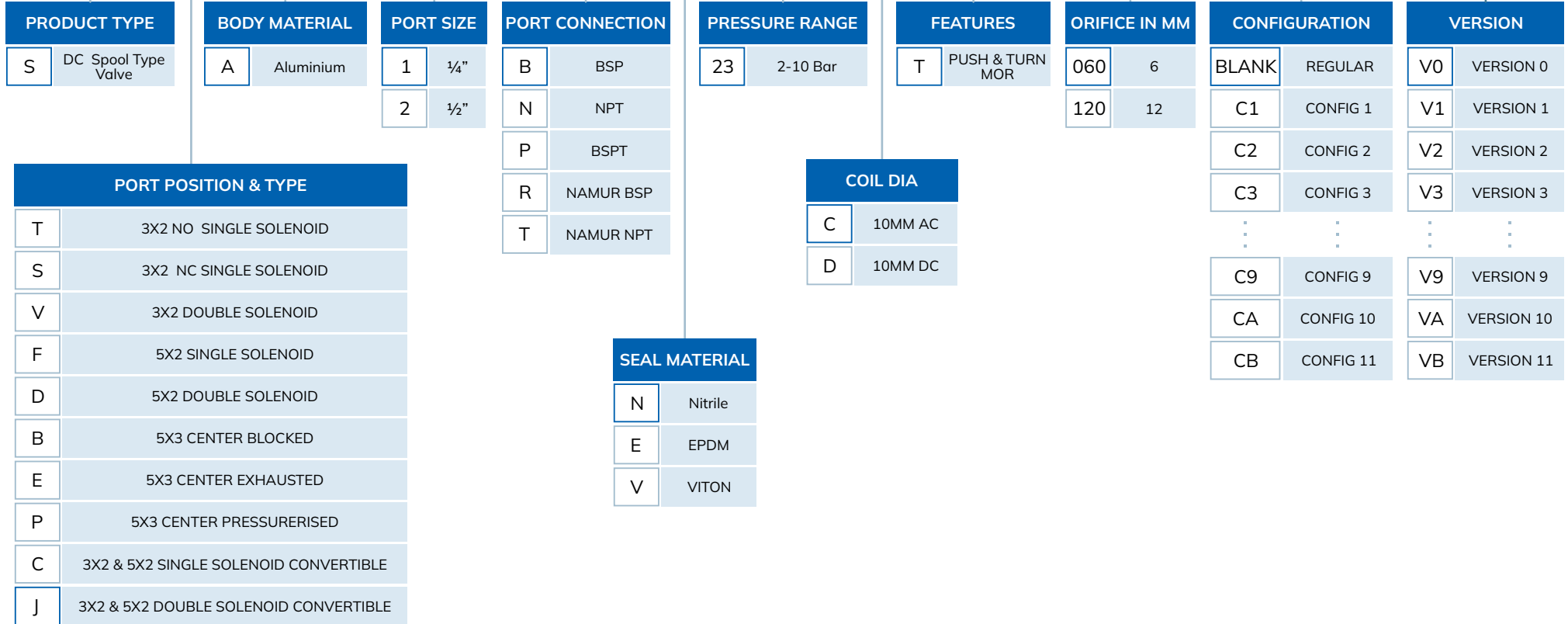


1 - Input, 2/4 - Output, 3/5 - Exhaust

Model No.	Flow (at 6 Bar)	Port Size			Function	Symbol
		In	Out	Exh		
PFA1BN04V0	1200 LPM	¼"	¼"	⅙"	Spring Return	
PDA1BN04V0	1200 LPM	¼"	¼"	⅙"	Manual Return	
PFA2BN04V0	3500 LPM	½"	½"	½"	Spring Return	
PDA2BN04V0	3500 LPM	½"	½"	½"	Manual Return	

DC SOLENOID VALVE MODEL IDENTIFICATION CHART

S J A 1 B N 23 C T 060 - V0



SJA1BN23CT060V0

1/4" 3X2 & 5X2 DOUBLE SOLENOID CONVERTIBLE DC SPOOL TYPE VALVE ALUMINIUM-BSP-NITRILE-2 TO 10 Bar-10MM AC-PUSH & TURN MOR-6MM ORIFICE

DC MANUAL MODEL IDENTIFICATION CHART

L S A 1 N E 04 - V0

PRODUCT TYPE	
L	DC LEVER TYPE VALVE
P	PUSH PULL TYPE VALVE
A	PILOT AIR TYPE VALVE

BODY MATERIAL	
A	Aluminium

PORT SIZE	
1	¼"
2	½"

PORT CONNECTION	
B	BSP
N	NPT
P	BSPT
R	NAMUR BSP
T	NAMUR NPT

PRESSURE RANGE	
04	0-10 Bar

CONFIGURATION	
BLANK	REGULAR
C1	CONFIG 1
C2	CONFIG 2
C3	CONFIG 3
⋮	⋮
C9	CONFIG 9
CA	CONFIG 10
CB	CONFIG 11

VERSION	
V0	VERSION 0
V1	VERSION 1
V2	VERSION 2
V3	VERSION 3
⋮	⋮
V9	VERSION 9
VA	VERSION 10
VB	VERSION 11

PORT POSITION & TYPE	
T	3X2 NO WITH SPRING RETURN
S	3X2 NC WITH SPRING RETURN
V	3X2 DOUBLE ACTING
F	5X2 WITH SPRING RETURN
D	5X2 DOUBLE ACTING
B	5X3 CENTER BLOCKED WITH MANUAL RETURN
E	5X3 CENTER EXHAUSTED WITH MANUAL RETURN
P	5X3 CENTER PRESSURERISED WITH MANUAL RETURN
K	5X3 CENTER BLOCKED WITH SPRING RETURN
H	5X3 CENTER EXHAUSTED WITH SPRING RETURN
R	5X3 CENTER PRESSURERISED WITH SPRING RETURN

SEAL MATERIAL	
N	Nitrile
E	EPDM
V	VITON

LSA1NE04V0
 1/4" 3X2 NC WITH SPRING RETURN DC LEVER TYPE VALVE ALUMINIUM-NPT-EPDM-0 TO 10 Bar



POPPET VALVE
SERIES



Valve Specifications

Type :
Design :
Port Size :
Media :
working Pressure Range :
Orifice :
Ambient / Media Temperature :
Materials of Construction :

3/2
 Internal Pilot Operated Poppet Valve
 In / Out / Exhaust - 1/4" BSP
 Compressed Air (Filtered & Lubricated)
 2-10 Bar
 7mm
 5°C - 60°C
 Aluminium, Nitrile, Brass, Polymer

Coil Specification

Operating Voltage :

24V AC	110V AC	230V AC	12V DC	24V DC
--------	---------	---------	--------	--------

Power Consumption :

9W	9W	9W	10W	11W
----	----	----	-----	-----

Coil Features :

High Reliability Unaffected by Voltage Surges. Easy coil changes coil lockable in 4X90 position or freely movable in between as require.

Coil Housing :

Epoxy square coil, Metallic round enclosure, IP-67 Flameproof junction box, IP-68 Weatherproof enclosure.

Port Connection

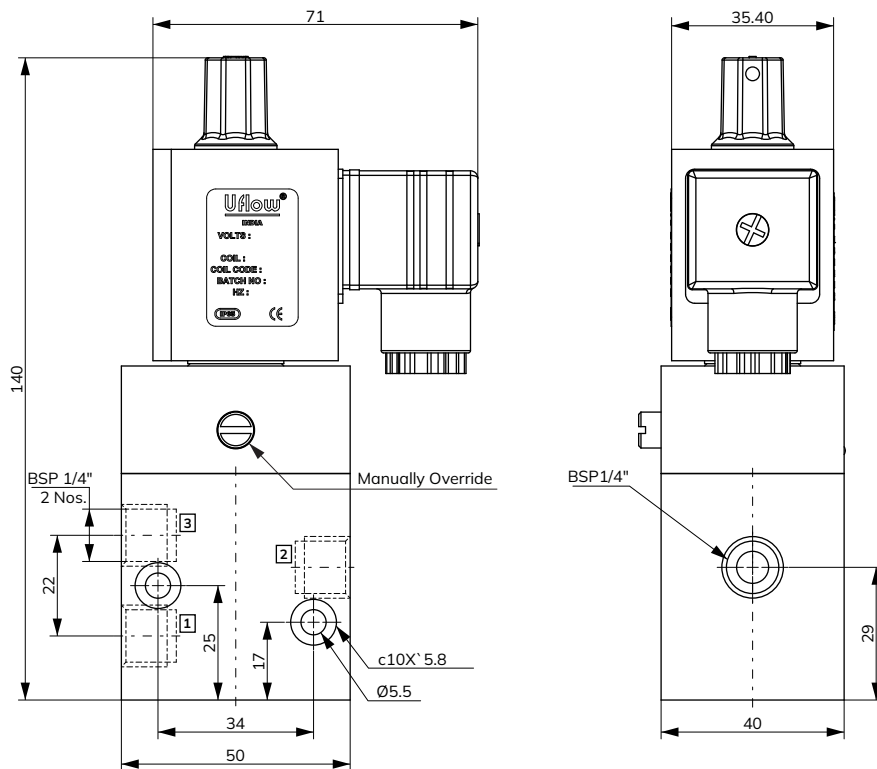
1 - Input, 2/4 - Output, 3/5 - Exhaust

Model No.	Coil Type	Function	Symbol
CSA1BN23ET070V0	AC	Single Solenoid Spring Return (NC)	
CSA1BN23FT070V0	DC		

Features

- Fast response time 1000 cycle/min
- Manual override
- 2 Million cycle tested
- Lubrication not essential

Dimension Drawing (All dimensions in mm)





Valve Specifications

Type :	5/2
Design :	Internal Pilot Operated Poppet Valve
Port Size :	In / Out / Exhaust - 1/4" BSP
Media :	Compressed Air (Filtered & Lubricated)
working Pressure Range :	2-10 Bar
Orifice :	7mm
Ambient / Media Temperature :	5°C - 60°C
Materials of Construction :	Aluminium, Nitrile, Brass, Polymer

Coil Specification

Operating Voltage :	24V AC	110V AC	230V AC	12V DC	24V DC
Power Consumption :	9W	9W	9W	10W	11W
Coil Features :	High Reliability Unaffected by Voltage Surges. Easy coil changes coil lockable in 4X90 position or freely movable in between as require.				
Coil Housing :	Epoxy square coil, Metallic round enclosure, IP-67 Flameproof enclosure, IP-68 Weatherproof enclosure.				

Port Connection

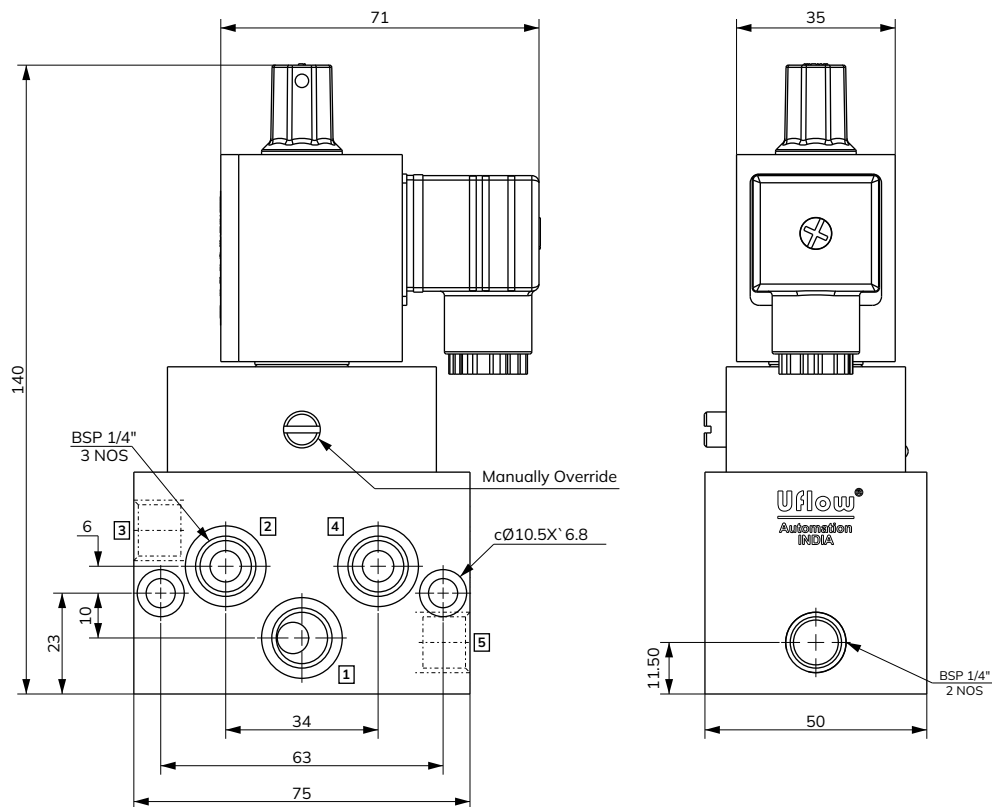
1 - Input, 2/4 - Output, 3/5 - Exhaust

Model No.	Coil Type	Function	Symbol
CFA1BN23ET070V0	AC	Single Solenoid Spring Return	
CFA1BN23FT070V0	DC		

Features

- Fast response time 1000 cycle/min
- Manual override
- 2 Million cycle tested
- Lubrication not essential

Dimension Drawing (All dimensions in mm)





Valve Specifications

Type :	3/2 - 5/2
Design :	Internal Pilot Operated Poppet Valve
Port Size :	In / Out / Exhaust - 1/4" BSP
Media :	Compressed Air (Filtered & Lubricated)
working Pressure Range :	2-10 Bar
Orifice :	7mm
Ambient / Media Temperature :	5°C - 60°C
Materials of Construction :	Aluminium, Nitrile, Brass, Polymer

Coil Specification

Operating Voltage :	24V AC	110V AC	230V AC	12V DC	24V DC
Power Consumption :	9W	9W	9W	10W	11W
Coil Features :	High Reliability Unaffected by Voltage Surges. Easy coil changes coil lockable in 4X90 position or freely movable in between as require.				
Coil Housing :	Epoxy square coil, Metallic round enclosure, IP-67 Flameproof enclosure, IP-68 Weatherproof enclosure.				

Port Connection

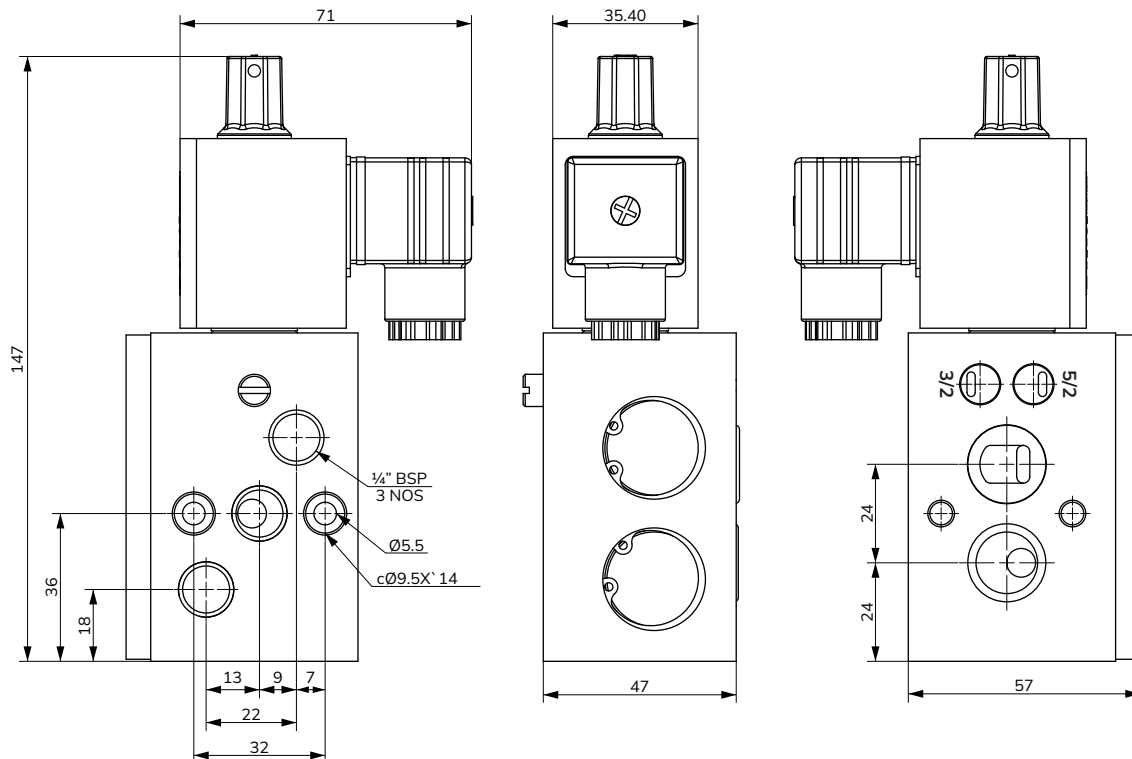
1 - Input, 2/4 - Output, 3/5 - Exhaust

Model No.	Coil Type	Function	Symbol
CCA1RN23ET070V0	AC	Single Solenoid Spring Return	5X2
CCA1RN23FT070V0	DC		3X2

Features

- Fast response time 1000 cycle/min
- Manual override
- 2 Million cycle tested
- Lubrication not essential

Dimension Drawing (All dimensions in mm)





Valve Specifications

Type :	5/2
Design :	Internal Pilot Operated Poppet Valve
Port Size :	In / Out / Exhaust - 1/4" BSP
Media :	Compressed Air (Filtered & Lubricated)
working Pressure Range :	2-10 Bar
Orifice :	7mm
Ambient / Media Temperature :	5°C - 60°C
Materials of Construction :	Aluminium, Nitrile, Brass, Polymer

Coil Specification

Operating Voltage :	24V AC	110V AC	230V AC	12V DC	24V DC
Power Consumption :	9W	9W	9W	10W	11W
Coil Features :	High Reliability Unaffected by Voltage Surges. Easy coil changes coil lockable in 4X90 position or freely movable in between as require.				
Coil Housing :	Epoxy square coil, Metallic round enclosure, IP-67 Flameproof enclosure, IP-68 Weatherproof enclosure.				

Port Connection

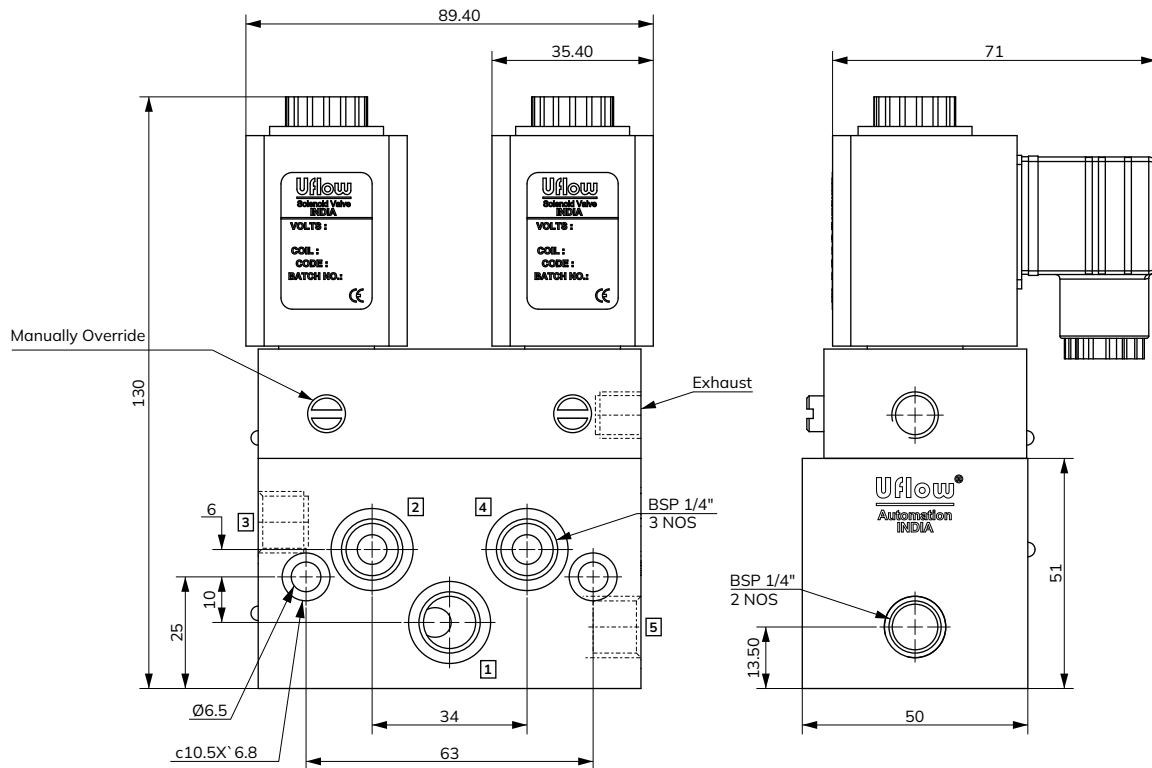
1 - Input, 2/4 - Output, 3/5 - Exhaust

Model No.	Coil Type	Function	Symbol
CDA1BN23EP060V0	AC	Single Solenoid Spring Return	
CDA1BN23FP060V0	DC		

Features

- Fast response time 1000 cycle/min
- Manual override
- 2 Million cycle tested
- Lubrication not essential

Dimension Drawing (All dimensions in mm)





Valve Specifications

Type :	3/2
Design :	Internal Pilot Operated Poppet Valve
Port Size :	In / Out / Exhaust - 1/2" BSP
Media :	Compressed Air (Filtered & Lubricated)
working Pressure Range :	2-10 Bar
Orifice :	16mm
Ambient / Media Temperature :	5°C - 60°C
Materials of Construction :	Aluminium, Nitrile, Brass, Polymer

Coil Specification

Operating Voltage :	24V AC	110V AC	230V AC	12V DC	24V DC
Power Consumption :	9W	9W	9W	10W	11W
Coil Features :	High Reliability Unaffected by Voltage Surges. Easy coil changes coil lockable in 4X90 position or freely movable in between as require.				
Coil Housing :	Epoxy square coil, Metallic round enclosure, IP-67 Flameproof enclosure, IP-68 Weatherproof enclosure.				

Port Connection

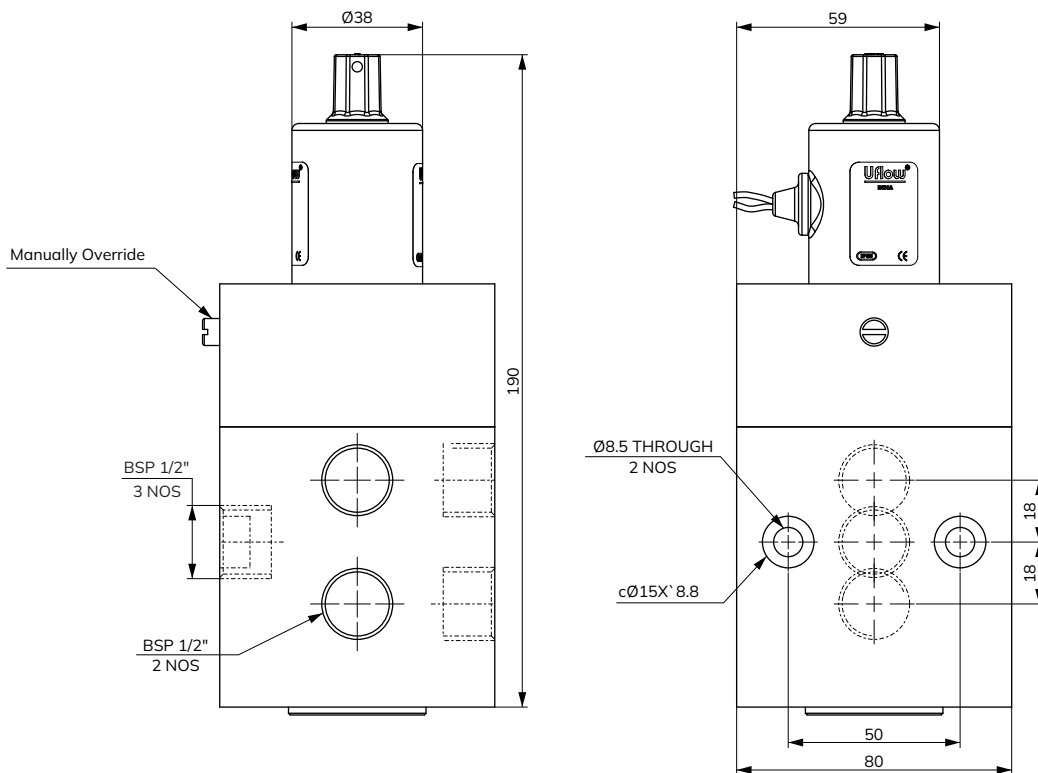
1 - Input, 2/4 - Output, 3/5 - Exhaust

Model No.	Coil Type	Function	Symbol
CSA2BN23ET160V0	AC	Single Solenoid	
CSA2BN23FT160V0	DC		

Features

- Fast response time 1000 cycle/min
- Manual override
- 2 Million cycle tested
- Lubrication not essential

Dimension Drawing (All dimensions in mm)





Valve Specifications

Type :	3 Way
Design :	3 Way Direct Acting Poppet Type
Port Size :	In / Out / Exhaust - 1/4" BSP
Media :	Compressed Air (Filtered & Lubricated)
working Pressure Range :	2-10 Bar
Orifice :	7mm
Ambient / Media Temperature :	5°C - 60°C
Materials of Construction :	Aluminium, Nitrile, Brass, Polymer

Coil Specification

Operating Voltage :	24V AC	110V AC	230V AC	12V DC	24V DC
Power Consumption :	9W	9W	9W	10W	11W
Coil Features :	High Reliability Unaffected by Voltage Surges. Easy coil changes coil lockable in 4X90 position or freely movable in between as require.				
Coil Housing :	Epoxy square coil, Metallic round enclosure, IP-67 Flameproof enclosure, IP-68 Weatherproof enclosure.				

Port Connection

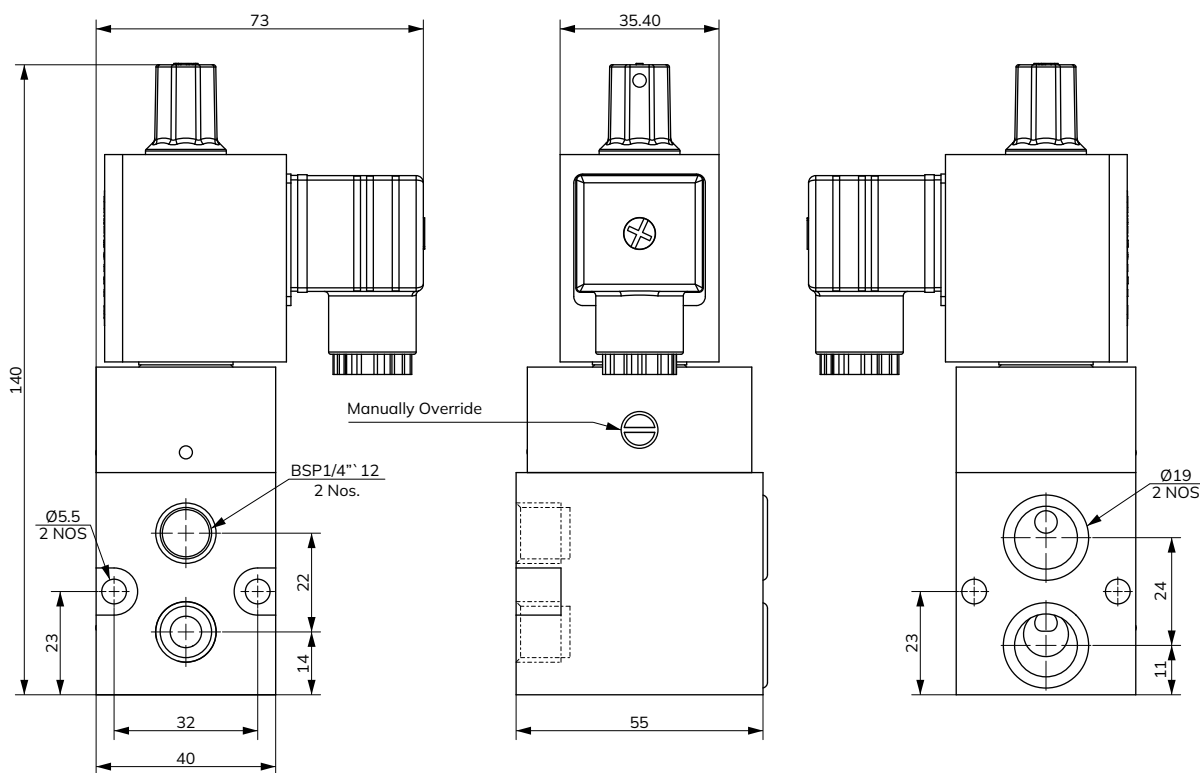
1 - Input, 2/4 - Output, 3/5 - Exhaust

Model No.	Coil Type	Function	Symbol
CSA1RN23ET070V0	AC	Single Solenoid Spring Return	
CSA1RN23FT070V0	DC		

Features

- Fast response time 1000 cycle/min
- Manual override
- 2 Million cycle tested
- Lubrication not essential

Dimension Drawing (All dimensions in mm)





Valve Specifications

Type :	3 Way
Design :	3 Way Direct Acting Poppet Type
Port Size :	In / Out / Exhaust - ½" BSP
Media :	Compressed Air (Filtered & Lubricated)
working Pressure Range :	0-10 Bar
Orifice :	5mm
Ambient / Media Temperature :	5°C - 60°C
Materials of Construction :	Aluminium, Nitrile, Brass, Polymer

Coil Specification

Operating Voltage :

24V AC	110V AC	230V AC	24V DC
--------	---------	---------	--------

Power Consumption :

9W	9W	9W	11W
----	----	----	-----

Coil Features :

High Reliability Unaffected by Voltage Surges. Easy coil changes coil lockable in 4X90 position or freely movable in between as require.

Coil Housing :

Epoxy square coil, Metallic round enclosure, IP-67 Flameproof enclosure, IP-68 Weatherproof enclosure.

Port Connection

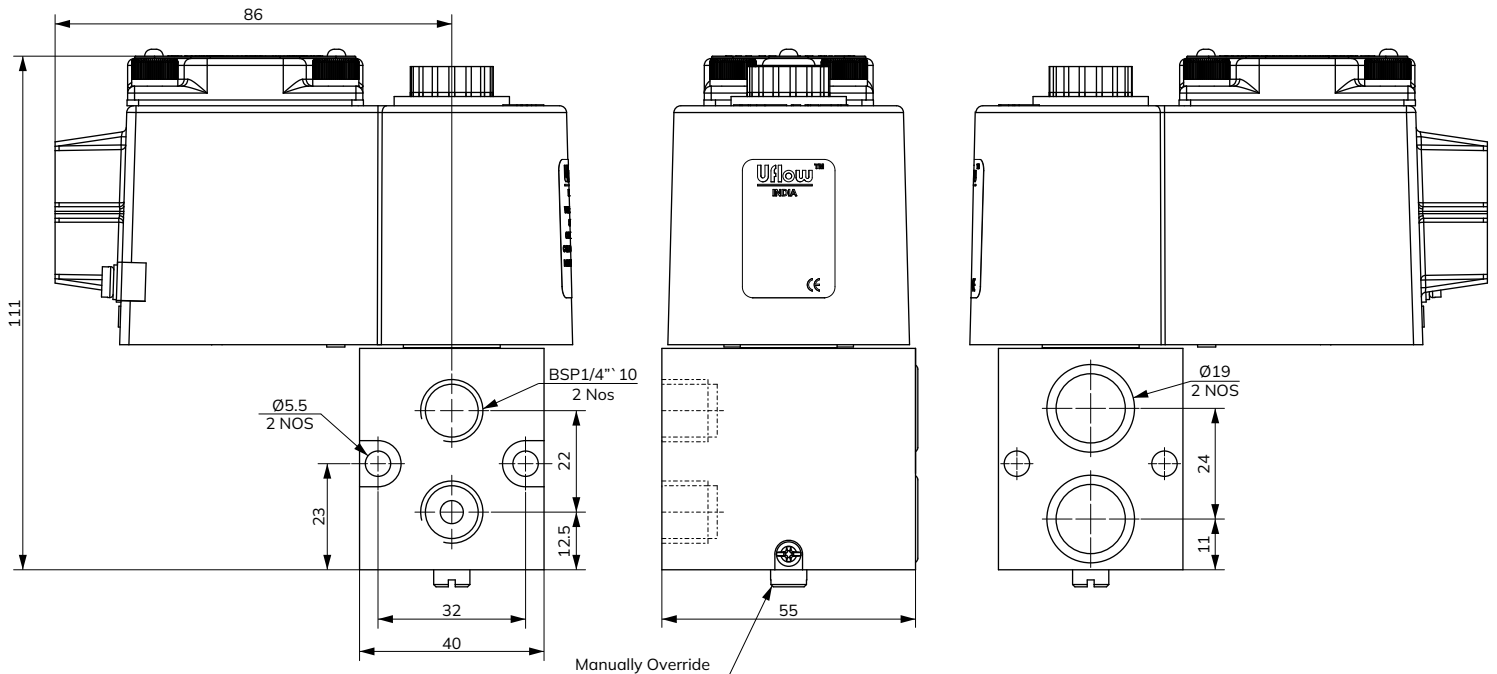
1 - Input, 2/4 - Output, 3/5 - Exhaust

Model No.	Coil Type	Function	Symbol
TAN104RNGT050V0	AC	Single Solenoid Spring Return	
TAN104RNHT050V0	DC		

Features

- Fast response time 1000 cycle/min
- Manual override
- 2 Million cycle tested
- Lubrication not essential

Dimension Drawing (All dimensions in mm)





Valve Specifications

Type :
Design :
Port Size :
Media :
working Pressure Range :
Orifice :
Ambient / Media Temperature :
Materials of Construction :

Type :	3 Way
Design :	3 Way Direct Acting Poppet Type
Port Size :	In / Out / Exhaust - 1/4" BSP
Media :	Compressed Air (Filtered & Lubricated)
working Pressure Range :	0-10 Bar
Orifice :	10mm
Ambient / Media Temperature :	5°C - 60°C
Materials of Construction :	Aluminium, Nitrile, Brass, Polymer

Coil Specification

Operating Voltage :

24V AC	110V AC	230V AC	12V DC	24V DC
9W	9W	9W	10W	11W

Power Consumption :

Coil Features :

High Reliability Unaffected by Voltage Surges. Easy coil changes coil lockable in 4X90 position or freely movable in between as require.

Coil Housing :

Epoxy square coil, Metallic round enclosure, IP-67 Flameproof enclosure, IP-68 Weatherproof enclosure.

Port Connection

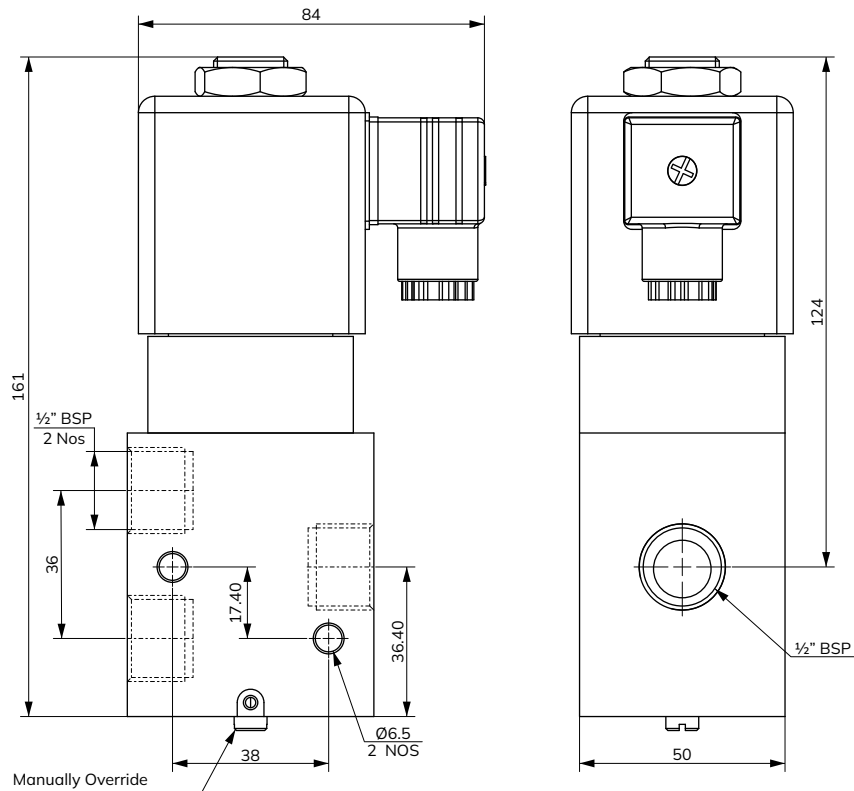
1 - Input, 2/4 - Output, 3/5 - Exhaust

Model No.	Coil Type	Function	Symbol
TAN204BNIT100V0	AC	Single Solenoid Spring Return	
TAN204BNJT100V0	DC		

Features

- Fast response time 1000 cycle/min
- Manual override
- 2 Million cycle tested
- Lubrication not essential

Dimension Drawing (All dimensions in mm)





Valve Specifications

Type :	3 Way
Design :	3 Way Direct Acting Poppet Type
Port Size :	In / Out / Exhaust - ¼" BSP
Media :	Compressed Air (Filtered & Lubricated)
working Pressure Range :	0-10 Bar
Orifice :	5mm
Ambient / Media Temperature :	5°C - 60°C
Materials of Construction :	Aluminium, Nitrile, Brass, Polymer

Coil Specification

Operating Voltage :	24V AC	110V AC	230V AC	24V DC
Power Consumption :	9W	9W	9W	11W
Coil Features :	High Reliability Unaffected by Voltage Surges. Easy coil changes coil lockable in 4X90 position or freely movable in between as require.			
Coil Housing :	Epoxy square coil, Metallic round enclosure, IP-67 Flameproof enclosure, IP-68 Weatherproof enclosure.			

Port Connection

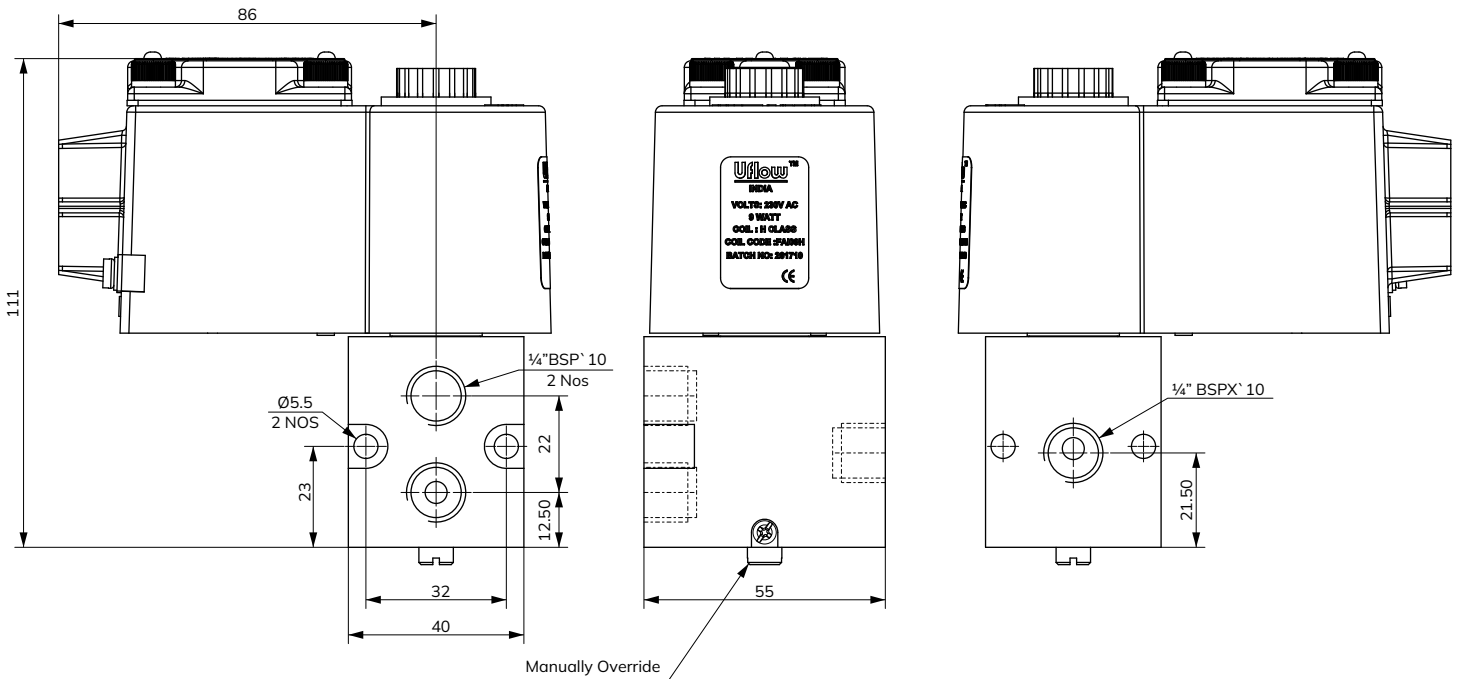
1 - Input, 2/4 - Output, 3/5 - Exhaust

Model No.	Coil Type	Function	Symbol
TAN104BUGT050V0	AC	Single Solenoid Spring Return	
TAN104BUHT050V0	DC		

Features

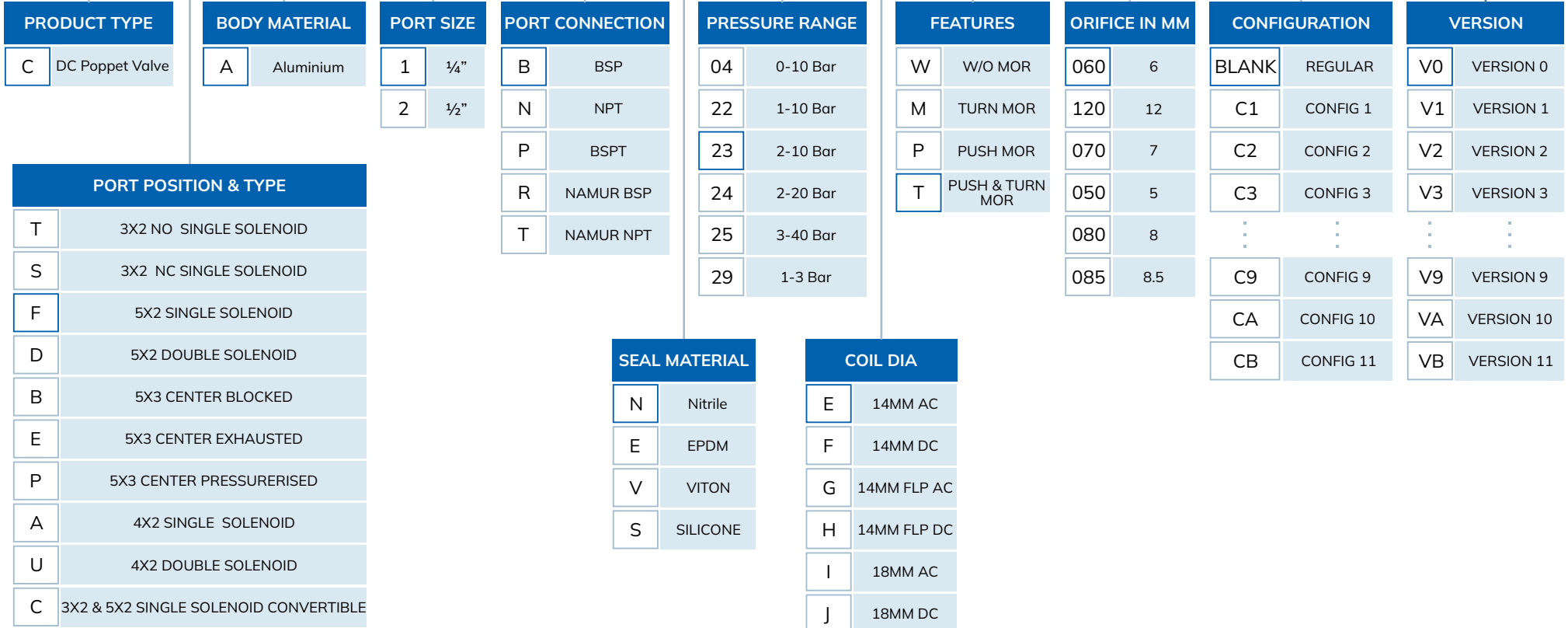
- Fast response time 1000 cycle/min
- Manual override
- 2 Million cycle tested
- Lubrication not essential
- Universal Type (NO/NC)

Dimension Drawing (All dimensions in mm)



DC SOLENOID VALVE MODEL IDENTIFICATION CHART

C F A 1 B N 23 E T 060 - V0

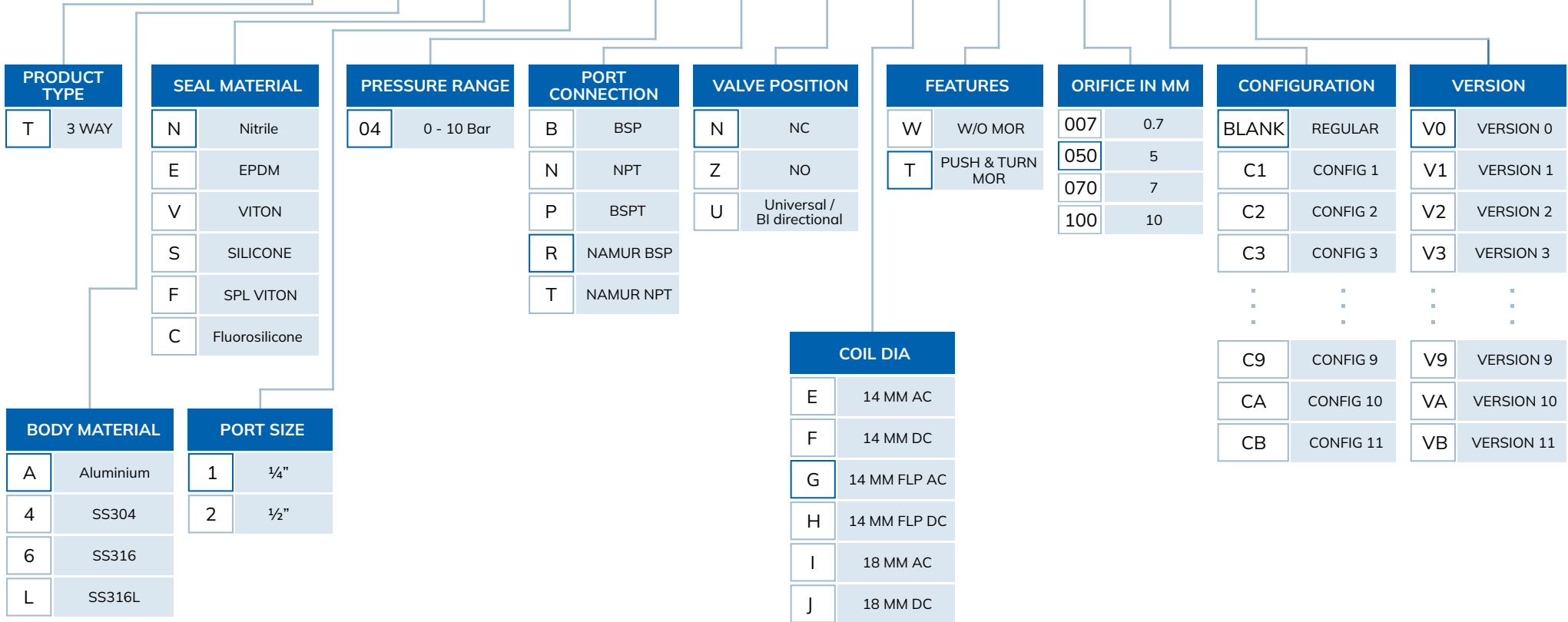


CFA1BN23ET060V0

1/4" 5X2 SINGLE SOLENOID DC POPPET TYPE VALVE ALUMINIUM - BSP - NITRILE - 2 TO 10 Bar-14MM AC - PUSH & TURN MOR - 6MM ORIFICE

3 WAY DIRECT ACTING POPPET TYPE VALVE MODEL IDENTIFICATION CHART

T A N 1 04 R N G T 050 - V0



TAN104BNGW007V0

1/4" 3 WAY DIRECT ACTING Aluminium-Nitrile-0 TO 10bar-Namur BSP-NC-14mm FLP AC-Push & Turn Mor -5 mm ORIFICE



**SOLENOID VALVE
SERIES**

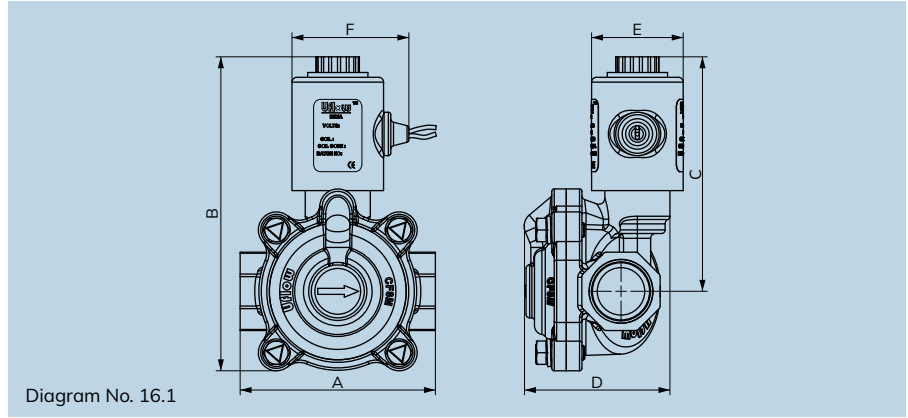
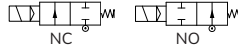


Diagram No. 16.1



Specifications

Port :	Refer below technical data sheet (Available BSP / NPT)				
End Connection :	Screwed / Flange				
Body Material :	SS ASTM A351 Grade CF8 / CF8M				
Diaphragm :	Nitrile (NBR)	EPDM	Viton (FKM)		
Media Temp :	-30°C to 90°C	-10°C to 140°C	-10°C to 180°C		
Circumstance Temp :	-10°C to 70°C				
Media :	Air, Water, Chemical, Gas				
Main Features :	Internal Parts are in superior corrosion resistance steel, (Equivalent to SS316L) Suitable for Food Industries, Pharmaceuticals, Chemical application & Highly corrosive environment.				
Operating Voltage :	24AC	110AC	230AC	12DC	24DC
Power Consumption :	9W	9W	9W	10W	11W
Coil Features :	High Reliability Unaffected by Voltage Surges. Easy coil changes coil lockable in 4X90 position or freely movable in between as require.				
Coil Housing :	Epoxy square coil, Metallic round enclosure, IP-67 Flameproof enclosure, IP-68 Weatherproof enclosure.				
Optional Feature :	90% Power saver series also available, Manual Override, Water hammering reducer also available to avoid water hammer forces.				
Other Specification Data :	Available on Request. - High Pressure 20Kg Series. - Manual Override				

NOTE: Use of filter in the inlet port is recommended.

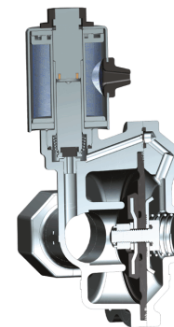
Dimension - NC (All dimensions in mm)

All dimensions are approx.

Model No.	Port Size	Diagram No.	A	B	C	D	E	F
PCN708BNEWV0	3/8"	16.1	67	123	95	52	44	60
PCN208BNEWV0	1/2"	16.1	67	123	95	52	44	60
PCN308BNEWV0	3/4"	16.1	81	130	97	60	44	60
PCN408BNEWV0	1"	16.1	96	146	105	66	44	60
PCN508BNEWV0	1 1/4"	16.1	108	154	108	88	44	60
PCN608BNEWV0	1 1/2"	16.1	108	159	108	88	44	60
PCN808BNEWV0	2"	16.1	132	181	126	102	44	60
PCN908BNEWV0	2 1/2"	16.1	166	212	140	126	44	60
PCNA08BNEWV0	3"	16.1	192	237	151	138	44	60
PCNB08BNEWV0	4"	16.1	262	242	178	202	38	48

In normally open valve dimension B&C will increase up to 8mm.

Section View



Technical Data

Model No.	Body Material	Pipe (Inch)	Orifice (mm)	Min. Operating Pressure Kg/cm ²	Max. Operating Pressure Kg/cm ²	Seal & Diaphragm Material	Flow Factor Kv m ³ / hr
PCN708BNEWV0	CF8 / CF8M	3/8"	15	0.5	12	NBR / EPDM / VITON	2
PCN208BNEWV0	CF8 / CF8M	1/2"	17	0.5	12	NBR / EPDM / VITON	4.4
PCN308BNEWV0	CF8 / CF8M	3/4"	20	0.5	12	NBR / EPDM / VITON	3.7
PCN408BNEWV0	CF8 / CF8M	1"	25	0.5	12	NBR / EPDM / VITON	10
PCN508BNEWV0	CF8 / CF8M	1 1/4"	36	0.5	12	NBR / EPDM / VITON	12.2
PCN608BNEWV0	CF8 / CF8M	1 1/2"	36	0.5	12	NBR / EPDM / VITON	17.1
PCN808BNEWV0	CF8 / CF8M	2"	48	0.5	12	NBR / EPDM / VITON	33.3
PCN908BNEWV0	CF8 / CF8M	2 1/2"	60	0.5	12	NBR / EPDM / VITON	43.5
PCNA08BNEWV0	CF8 / CF8M	3"	72	0.5	12	NBR / EPDM / VITON	64.5
PCNB08BNEWV0	CF8 / CF8M	4"	98	0.5	12	NBR / EPDM / VITON	115

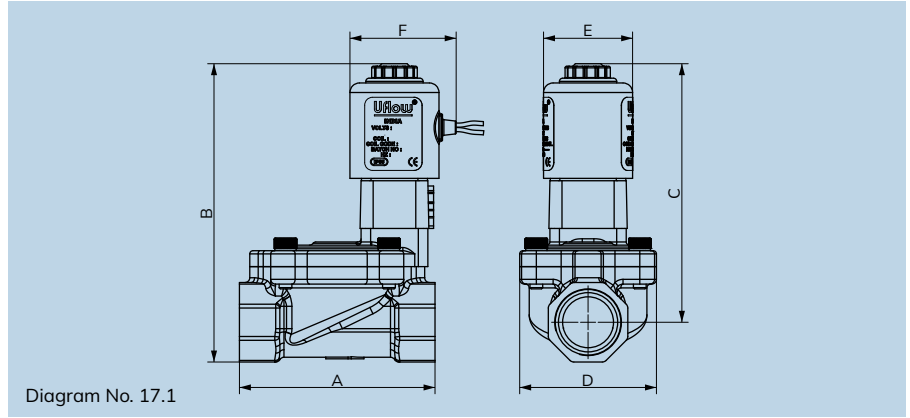
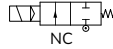


Diagram No. 17.1



Specifications

Port :	Refer below technical data sheet (Available BSP / NPT)				
End Connection :	Screwed / Flange				
Body Material :	SS ASTM A351 Grade CF8 / CF8M, Forged Brass				
Diaphragm :	Nitrile (NBR)	EPDM	Viton (FKM)		
Media Temp :	-30°C to 90°C	-10°C to 140°C	-10°C to 180°C		
Circumstance Temp :	-10°C to 70°C				
Media :	Air, Water, Chemical, Gas, Oil, Diesel, Kerosene, LPG.				
Main Features :	Internal Parts are in superior corrosion resistance steel, (Equivalent to SS316L) Suitable for Food Industries, Pharmaceuticals, Chemical application & Highly corrosive environment.				
Operating Voltage :	24AC	110AC	230AC	12DC	24DC
Power Consumption :	9W / 6W	9W / 6W	9W / 6W	10W / 6W	11W / 6W
Coil Features :	High Reliability Unaffected by Voltage Surges. Easy coil changes coil lockable in 4X90 position or freely movable in between as require.				
Coil Housing :	Epoxy square coil, Metallic round enclosure, IP-68 Weatherproof enclosure.				
Optional Feature :	90% Power saver series also available, Manual Override, Water hammering reducer also available to avoid water hammer forces.				
Other Specification Data :	Available on Request.				

NOTE: Use of filter in the inlet port is recommended.

Technical Data

Model No.	Body Material	Pipe (Inch)	Orifice (mm)	Min. Operating Pressure Kg/cm ²	Max. Operating Pressure Kg/cm ²	Seal & Diaphragm Material	Flow Factor Kv m ³ / hr
PBN206BNCMV0	BRASS	½"	12	0.5	10	NBR / EPDM / VITON	2.1
PBN306BNCMV0	BRASS	¾"	20	0.5	10	NBR / EPDM / VITON	5.5
PBN406BNCMV0	BRASS	1"	25	0.5	10	NBR / EPDM / VITON	9
PBN606BNCMV0	BRASS	1½"	36	0.5	10	NBR / EPDM / VITON	17.1
PBN806BNEWV0	BRASS	2"	50	0.5	10	NBR / EPDM / VITON	29.9

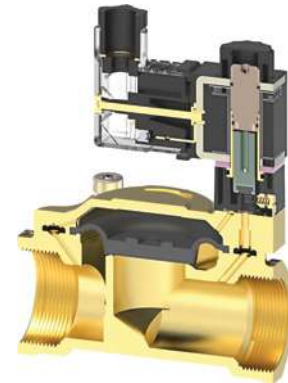
Dimension - NC (All dimensions in mm)

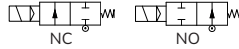
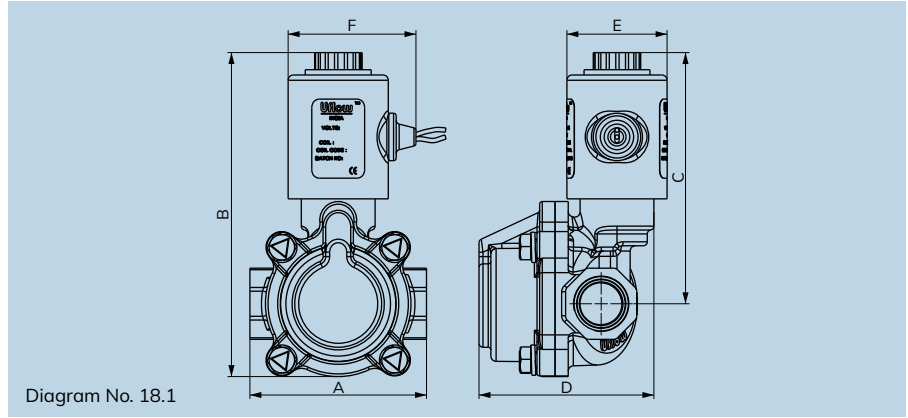
All Dimensions are approx.

Model No.	Port Size	Diagram No.	A	B	C	D	E	F
PBN206BNCMV0	½"	17.1	62	94	81	43	28	33
PBN306BNCMV0	¾"	17.1	77	101	85	52	28	33
PBN406BNCMV0	1"	17.1	92	109	89	63	28	33
PBN606BNCMV0	1½"	17.1	120	123	95	81	28	33
PBN806BNEWV0	2"	17.1	145	153	120	106	38	48

In normally open valve dimension B&C will increase up to 8mm.

Section View





Specifications

Port :	Refer below technical data sheet (Available BSP / NPT)				
End Connection :	Screwed / Flange				
Body Material :	SS ASTM A351 Grade CF8 / CF8M				
Diaphragm :	PTFE + Silicon / Viton				
Media Temp :	10°C to 180°C				
Circumstance Temp :	-10°C to 70°C				
Media :	Steam, Hot Water, Hot Fluid, Oil				
Main Features :	Internal Parts are in superior corrosion resistance steel, (Equivalent to SS316L) Suitable for Food Industries, Pharmaceuticals, Chemical application & Highly corrosive environment.				
Operating Voltage :	24AC	110AC	230AC	12DC	24DC
Power Consumption :	9W	9W	9W	10W	11W
Coil Features :	High Reliability Unaffected by Voltage Surges. Easy coil changes coil lockable in 4X90 position or freely movable in between as require.				
Coil Housing :	Epoxy square coil, Metallic round enclosure, IP-67 Flameproof enclosure, IP-68 Weatherproof enclosure.				
Optional Feature :	90% Power saver series also available, Water hammering reducer also available to avoid water hammer forces.				
Other Specification Data :	Available on Request.-Manual Override				

Dimension - NC (All dimensions in mm)

All Dimensions are approx.

Model No.	Port Size	Diagram No.	A	B	C	D	E	F
HCP209BNEWV0	½"	18.1	67	123	95	66	38	49
HCP309BNEWV0	¾"	18.1	81	130	97	75	38	49
HCP409BNEWV0	1"	18.1	96	146	105	78	38	49
HCP509BNEWV0	1¼"	18.1	108	154	108	96	38	49
HCP609BNEWV0	1½"	18.1	108	154	108	96	38	49
HCP809BNEWV0	2"	18.1	132	181	126	114	38	49

In normally open valve dimension B&C will increase up to 8mm.

Section View

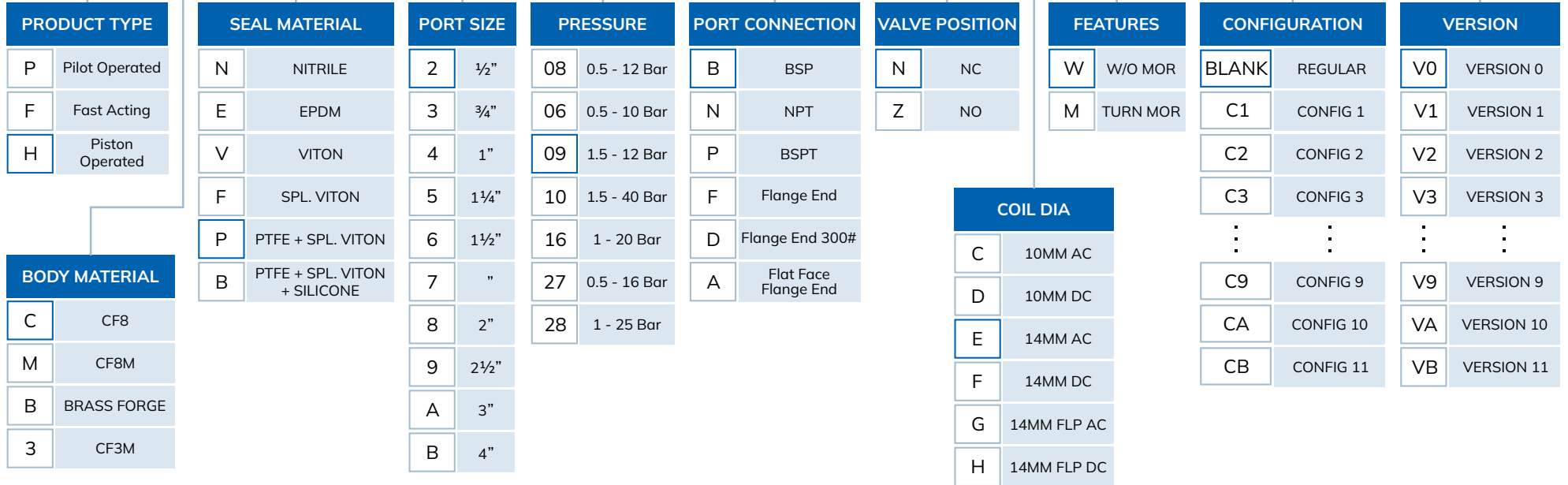


Technical Data

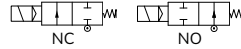
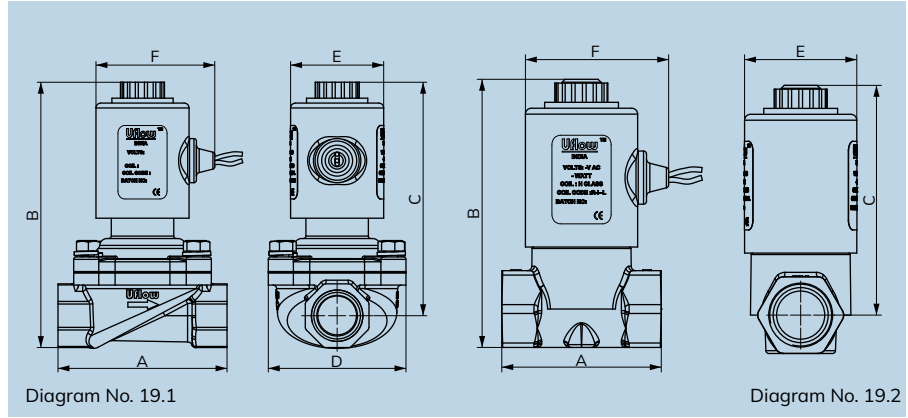
Model No.	Body Material	Pipe (Inch)	Orifice (mm)	Min. Operating Pressure Kg/cm ²	Max. Operating Pressure Kg/cm ²	Seal & Diaphragm Material	Flow Factor Kv m ³ / hr
HCP209BNEWV0	CF8 / CF8M	½"	17	1.5	12	PTFE	4
HCP309BNEWV0	CF8 / CF8M	¾"	20	1.5	12	PTFE	7
HCP409BNEWV0	CF8 / CF8M	1"	25	1.5	12	PTFE	12
HCP509BNEWV0	CF8 / CF8M	1¼"	36	1.5	12	PTFE	23
HCP609BNEWV0	CF8 / CF8M	1½"	36	1.5	12	PTFE	23
HCP809BNEWV0	CF8 / CF8M	2"	48	1.5	12	PTFE	38
HCP210BNEWV0	CF8 / CF8M	½"	17	1.5	40	PTFE	4
HCP310BNEWV0	CF8 / CF8M	¾"	20	1.5	40	PTFE	7
HCP410BNEWV0	CF8 / CF8M	1"	25	1.5	40	PTFE	12
HCP510BNEWV0	CF8 / CF8M	1¼"	36	1.5	40	PTFE	23
HCP610BNEWV0	CF8 / CF8M	1½"	36	1.5	40	PTFE	23
HCP810BNEWV0	CF8 / CF8M	2"	48	1.5	40	PTFE	38

PILOT OPERATED DIAPHRAGM / PISTON TYPE SOLENOID VALVE MODEL IDENTIFICATION CHART

H C P 2 09 B N E W - V0



HCP209BNEWV0
 ½" PILOT OPERATED DIAPHRAGM- CF8- PTFE + SPL. VITON- 1.5 TO 12 Bar-BSP-NC-14MM AC- W/OMOR



Specifications

Port :	Refer below technical data sheet (Available BSP / NPT)				
End Connection :	Screwed / Flange				
Body Material :	SS ASTM A351 Grade CF8 / CF8M, Forged Brass				
Diaphragm :	Nitrile (NBR)	EPDM	Viton (FKM)	PTFE	
Media Temp :	-30°C to 90°C	-10°C to 140°C	-10°C to 180°C	-10°C to 180°C	
Circumstance Temp :	-10°C to 70°C				
Media :	Air, Water, Chemical, Gas, Oil, Steam, LPG.				
Main Features :	Internal Parts are in superior corrosion resistance steel, (Equivalent to SS316L) Suitable for Food Industries, Pharmaceuticals, Chemical application & Highly corrosive environment.				
Operating Voltage :	24AC	110AC	230AC	12DC	24DC
Power Consumption :	9W	9W	9W	10W	11W
Coil Features :	High Reliability Unaffected by Voltage Surges. Easy coil changes coil lockable in 4X90 position or freely movable in between as require.				
Coil Housing :	Epoxy square coil, Metallic round enclosure, IP-67 Flameproof enclosure, IP-68 Weatherproof enclosure.				
Optional Feature :	90% Power saver series also available, Water hammering reducer also available to avoid water hammer forces. Special high flow rate series available on request at low pressure or gravity pressure application.				

Note : Use of filter in the inlet port is recommended., Preferably Over Horizontal Pipeline with the coil upright.
Caution : AC coil should not be used on a DC coil valve.

Technical Data

Model No.	Body Material	Pipe (Inch)	Orifice (mm)	Min. Operating Pressure Kg/cm ²	Max. Operating Pressure Kg/cm ²	Seal & Diaphragm Material	Flow Factor Kv m ³ / hr
MBN703BNEV0	BRASS	3/8"	15.5	0	7	NBR / EPDM / VITON	2.5
MBN704BNEV0	BRASS	3/8"	12	0	10	NBR / EPDM / VITON	2.5
MBN203BNEV0	BRASS	1/2"	15.5	0	7	NBR / EPDM / VITON	3.1
MBN204BNEV0	BRASS	1/2"	12	0	10	NBR / EPDM / VITON	2.3
MCN204BNEV0	CF8 / CF8M	1/2"	15	0	10	NBR / EPDM / VITON / PTFE	2.5
MCN203BNEV0	CF8 / CF8M	1/2"	17	0	7	NBR / EPDM / VITON	3.2
MCN303BNEV0	CF8 / CF8M	3/4"	20	0	7	NBR / EPDM / VITON	5
MCN304BNEV0	CF8 / CF8M	3/4"	18	0	10	NBR / EPDM / VITON	2.1
MCN403BNEV0	CF8 / CF8M	1"	25.5	0	7	NBR / EPDM / VITON / PTFE	8.2
MCN613BNIV0	CF8 / CF8M	1 1/2"	38	0	4	NBR / EPDM / VITON	18.2
MCN813BNIV0	CF8 / CF8M	2"	46.5	0	4	NBR / EPDM / VITON	31.4

Dimension - NC (All dimensions in mm)

All Dimensions are approx.

Model No.	Port Size	Diagram No.	A	B	C	D	E	F
MBN703BNEV0	3/8"	19.1	57	107	93	46	38	49
MBN203BNEV0	1/2"	19.1	57	107	93	46	38	49
MBN204BNEV0	1/2"	19.2	54	94	80	-	38	49
MCN203BNEV0	1/2"	19.1	69	109	95	56	38	49
MCN303BNEV0	3/4"	19.1	76	114	98	62	38	49
MCN304BNEV0	3/4"	19.2	65	101	85	-	38	49
MCN403BNEV0	1"	19.1	100	122	102	75	38	49
MCN613BNIV0	1 1/2"	19.1	108	151	124	89	50	62
MCN813BNIV0	2"	19.1	130	170	130	107	50	62

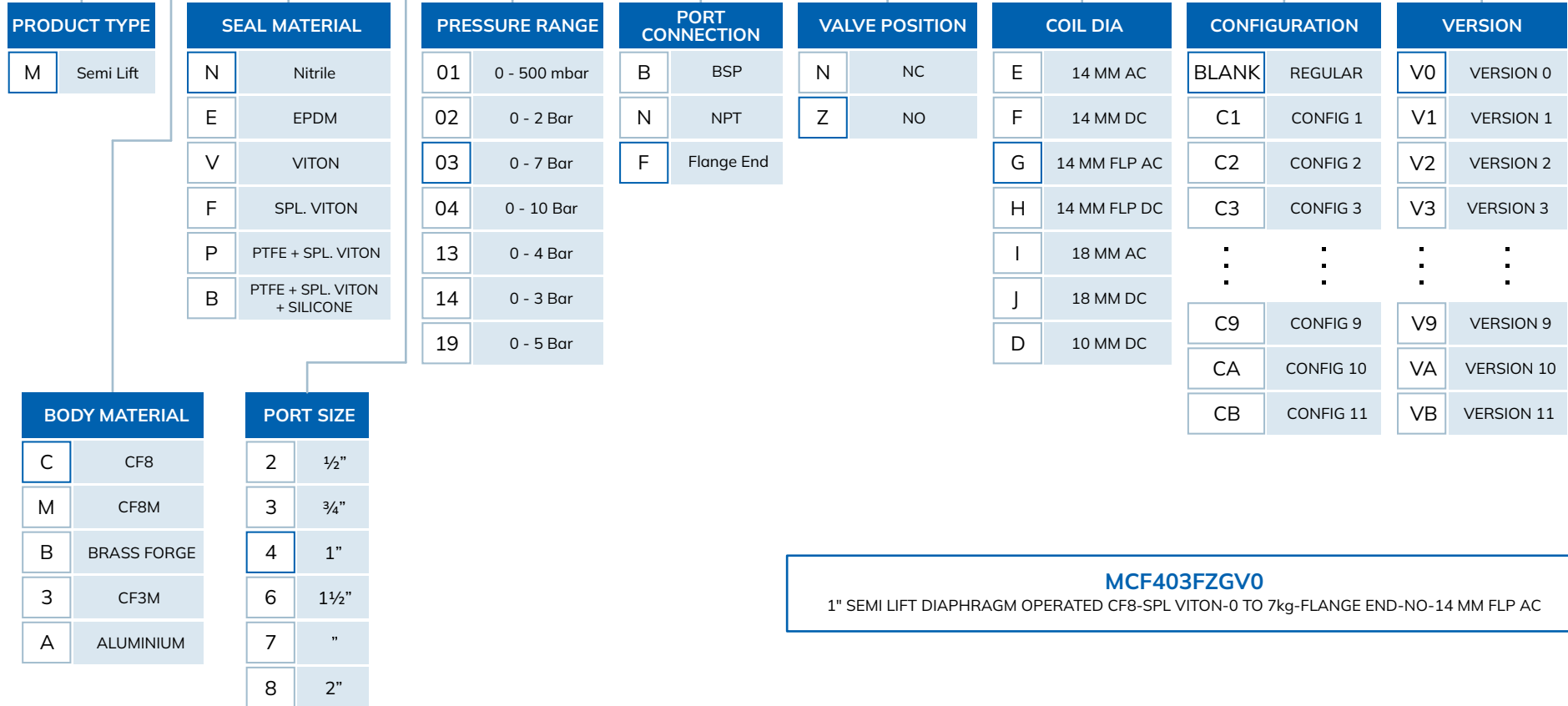
In normally open valve dimension B&C will increase up to 8mm.

Section View

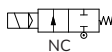
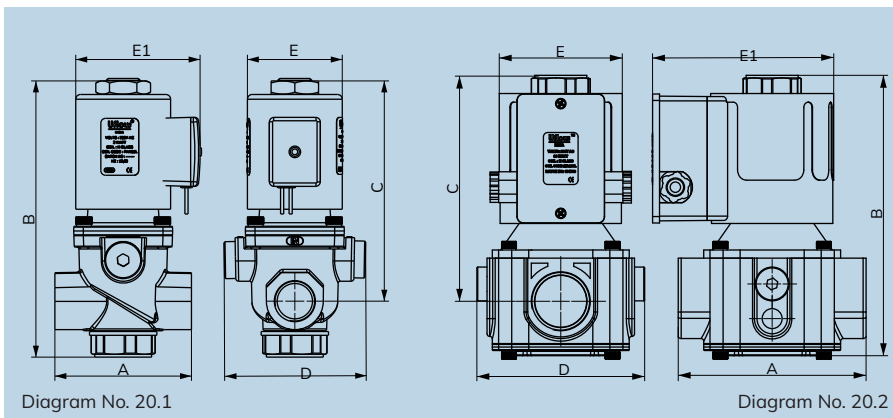


SEMI LIFT DIAPHRAGM OPERATED SOLENOID VALVE MODEL IDENTIFICATION CHART

M C N 4 03 F Z G - V0



MCF403FZGV0
 1" SEMI LIFT DIAPHRAGM OPERATED CF8-SPL VITON-0 TO 7kg-FLANGE END-NO-14 MM FLP AC



Specifications

Port :	Refer below technical data sheet (Available BSP)	
End Connection :	Screwed	
Body Material :	Aluminum Pressure Die Cast	
Diaphragm :	Nitrile (NBR)	
Media Temp :	-30°C to 90°C	
Circumstance Temp :	-10°C to 70°C	
Media :	Air, Natural Gas, Town Gas	
Main Features :	Flow adjustment, Opening time adjustment, Quick release initial flow adjustment	
Operating Voltage :	110AC	230AC
Power Consumption :	30W	30W
Coil Features :	High Reliability Unaffected by Voltage Surges. Easy coil changes coil lockable in 4X90 position or freely movable in between as require.	
Coil Housing :	Epoxy square coil.	
Other Specification Data :	Available on Request	

NOTE: Use of filter in the inlet port is recommended.

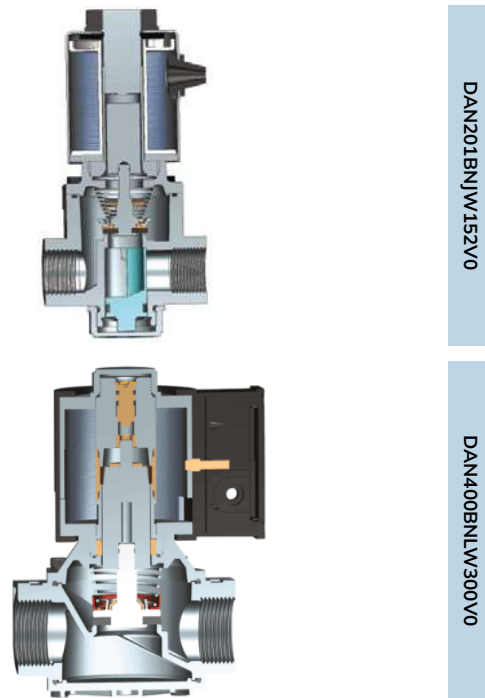
- Coils are conforming as per IEC-60335-1 with derivatives (LVD / EMC).
- Gas Solenoid Valve complies as per EN-161 requirement.

Dimension (All dimensions are in mm)

All Dimensions are approx.

Model No.	Port Size	Diagram No.	A	B	C	D	E	E1
DAN201BNIW152V0	½"	20.1	72	147	116	75	50	66
DAN400BNKW300V0	1"	20.2	108	162	130	97	71	105

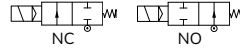
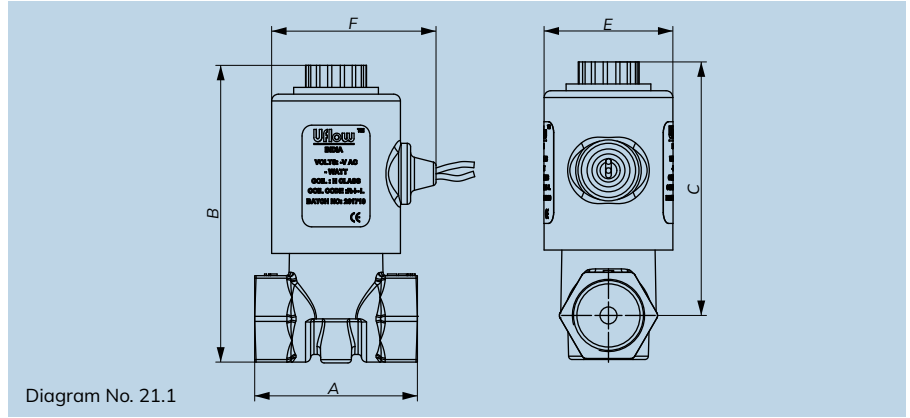
Section View



Technical Data

Model No.	Body Material	Pipe (Inch)	Orifice (mm)	Min. Operating Pressure mbar	Max. Operating Pressure mbar	Seal & Diaphragm Material	Flow Factor Kv m³ / hr
DAN201BNIW152V0	Aluminium	½"	15	0	500	NBR	4
DAN400BNKW300V0	Aluminium	1"	30	0	300	NBR	13

NOTE: Please refer the direct acting model identification chart.



Specifications

Port :	Refer below technical data sheet (Available BSP / NPT)				
End Connection :	Screwed				
Body Material :	SS ASTM A351 Grade CF8 / CF8M, Forged Brass, Aluminium				
Diaphragm:	Nitrile (NBR)	EPDM	Viton (FKM)		
Media Temp:	-30°C to 90°C	-10°C to 140°C	-10°C to 180°C		
Circumstance Temp :	-10°C to 70°C				
Media :	Air, Chemical, Gas, Oil, Steam, Hot Water				
Main Features :	Internal Parts are in superior corrosion resistance steel, (Equivalent to SS316L) Suitable for Food Industries, Pharmaceuticals, Chemical application & Highly corrosive environment.				
Operating Voltage :	24AC	110AC	230AC	12DC	24DC
Power Consumption :	9W	9W	9W	10W	11W
Coil Features :	High Reliability Unaffected by Voltage Surges. Easy coil changes coil lockable in 4X90 position or freely movable in between as require.				
Coil Housing :	Epoxy square coil, Metallic round enclosure, IP-67 Flameproof enclosure, IP-68 Weatherproof enclosure.				
Optional Feature :	90% Power saver series also available & Latching as per Application.				
Other Specification Data :	Available on Request. - Manual Override				

NOTE: Use of filter in the inlet port is recommended.

Dimension - NC (All dimensions in mm)

All Dimensions are approx.

Model No.	Port Size	Diagram No.	A	B	C	E	F
DAN104BNEW031V0	¼"	21.1	44.5	81	71	44	57
DBN104BNEW040V0	¼"	21.1	43	83	74	44	57
DCN104BNEW040V0	¼"	21.1	43	83	74	44	57
DBN704BNEW040V0	¾"	21.1	48	88	75	44	57
DBN204BNEW040V0	½"	21.1	48	88	75	44	57
DCN202BNIW120V0	½"	21.1	61.5	109	96	62	50
DAN204BNIW050V0	½"	21.1	65	102	88	62	50
DBN004BNCW020V0	⅙"	21.1	38	56	47	28	33
DRN103BNCM028V0	¼"	21.1	34	69	46	28	33
DCN204BNEW040V0	½"	21.1	48	91	79	44	57
DCN003BNAW016V0	⅙"	21.1	27	50	43	21	51

In normally open valve dimension B&C will increase up to 8mm.

Section View



Technical Data

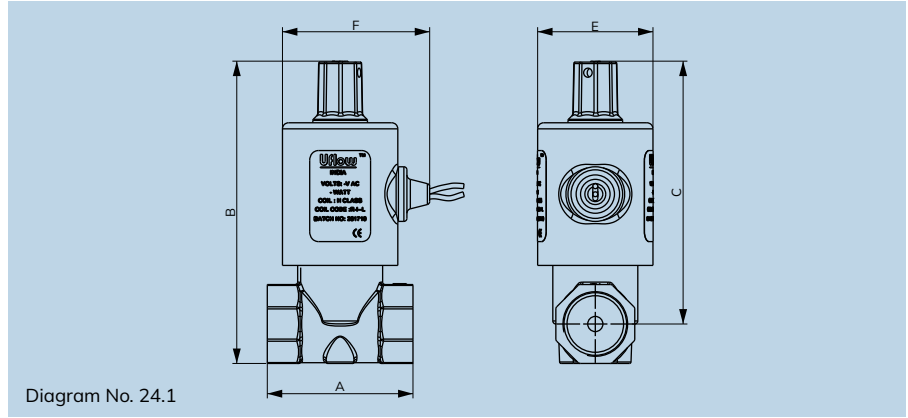
Model No.	Body Material	Port Size	Orifice (mm)		Min. Operating Pressure Kg/cm²	Max. Operating Pressure Kg/cm²	Seal & Diaphragm Material	Flow Factor Kv m³ / hr	
			NC	NO				NC	NO
DAN113BNFW050V0	Aluminium	¼"	5	4	0	4	NBR / SI / FKM / EPDM	0.73	0.54
DAN104BNEW030V0	Aluminium	¼"	3	2.5	0	10	NBR / SI / FKM / EPDM	0.20	0.16
DAN105BNEW022V0	Aluminium	¼"	2.2	1.8	0	16	NBR / SI / FKM / EPDM	0.16	0.10
DAN111BNEW022V0	Aluminium	¼"	2.2	1.8	0	25	NBR / SI / FKM / EPDM	0.16	0.10
DAN118BNEW018V0	Aluminium	¼"	1.8	1.3	0	40	NBR / SI / FKM / EPDM	0.10	0.05
DAN117BNEW015V0	Aluminium	¼"	1.5	1.3	0	60	NBR / SI / FKM / EPDM	0.07	0.05
DAN204BNIW050V0	Aluminium	½"	5	NA	0	10	NBR / SI / FKM / EPDM	0.73	-

Technical Data

Model No.	Body Material	Port Size	Orifice (mm)		Min. Operating Pressure Kg/cm ²	Max. Operating Pressure Kg/cm ²	Seal & Diaphragm Material	Flow Factor Kv m ³ / hr	
			NC	NO				NC	NO
DAN204BNEW040V0	Aluminium	½"	4	2.5	0	10	NBR / SI / FKM / EPDM	0.54	0.16
DAN205BNEW030V0	Aluminium	½"	3	2	0	16	NBR / SI / FKM / EPDM	0.20	0.11
DAN205BNIW050V0	Aluminium	½"	5	NA	0	16	NBR / SI / FKM / EPDM	0.73	--
DAN217BNIW025V0	Aluminium	½"	2.5	NA	0	60	NBR / SI / FKM / EPDM	0.16	--
DBN017BNEW018V0	Brass	⅜"	1.8	NA	0	60	NBR / SI / FKM / EPDM	0.10	--
DBN115BNEW060V0	Brass	¼"	6	NA	0	1	NBR / SI / FKM / EPDM	0.84	--
DBN113BNEW050V0	Brass	¼"	5	4	0	4	NBR / SI / FKM / EPDM	0.73	0.54
DBN104BNEW040V0	Brass	¼"	4	2.5	0	10	NBR / SI / FKM / EPDM	0.54	0.16
DBN105BNEW030V0	Brass	¼"	3	2.5	0	16	NBR / SI / FKM / EPDM	0.20	0.16
DBN111BNEW025V0	Brass	¼"	2.5	1.8	0	25	NBR / SI / FKM / EPDM	0.16	0.10
DBN118BNEW020V0	Brass	¼"	2	1.3	0	40	NBR / SI / FKM / EPDM	0.11	0.05
DBN117BNEW018V0	Brass	¼"	1.8	1.3	0	60	NBR / SI / FKM / EPDM	0.10	0.05
DBN120BNEW015V0	Brass	¼"	1.5	0.9	0	100	NBR / SI / FKM / EPDM	0.07	0.03
DBN112BNEW013V0	Brass	¼"	1.3	NA	0	150	NBR / SI / FKM / EPDM	0.05	--
DBN713BNEW050V0	Brass	⅜"	5	4	0	4	NBR / SI / FKM / EPDM	0.73	0.54
DBN704BNEW040V0	Brass	⅜"	4	2.5	0	10	NBR / SI / FKM / EPDM	0.54	0.16
DBN705BNEW030V0	Brass	⅜"	3	2	0	16	NBR / SI / FKM / EPDM	0.20	0.11
DBN711BNEW025V0	Brass	⅜"	2.5	1.8	0	25	NBR / SI / FKM / EPDM	0.16	0.10
DBN718BNEW020V0	Brass	⅜"	2	1.3	0	40	NBR / SI / FKM / EPDM	0.11	0.05
DBN717BNEW018V0	Brass	⅜"	1.8	1.3	0	60	NBR / SI / FKM / EPDM	0.10	0.05
DBN720BNEW015V0	Brass	⅜"	1.5	0.9	0	100	NBR / SI / FKM / EPDM	0.07	0.03
DBN712BNEW013V0	Brass	⅜"	1.3	NA	0	150	NBR / SI / FKM / EPDM	0.05	--
DBN215BNEW060V0	Brass	½"	6	NA	0	1	NBR / SI / FKM / EPDM	0.84	--
DBN213BNEW050V0	Brass	½"	5	4	0	4	NBR / SI / FKM / EPDM	0.73	0.54
DBN204BNEW040V0	Brass	½"	4	2.5	0	10	NBR / SI / FKM / EPDM	0.54	0.16
DBN205BNEW030V0	Brass	½"	3	2.5	0	16	NBR / SI / FKM / EPDM	0.20	0.16
DBN211BNEW025V0	Brass	½"	2.5	1.8	0	25	NBR / SI / FKM / EPDM	0.16	0.10
DBN218BNEW020V0	Brass	½"	2	1.3	0	40	NBR / SI / FKM / EPDM	0.11	0.05
DBN217BNEW018V0	Brass	½"	1.8	1.3	0	60	NBR / SI / FKM / EPDM	0.10	0.05
DBN220BNEW015V0	Brass	½"	1.5	0.9	0	100	NBR / SI / FKM / EPDM	0.07	0.03
DBN212BNEW013V0	Brass	½"	1.3	NA	0	150	NBR / SI / FKM / EPDM	0.05	--
DCN017BNEW018V0	SS304	⅜"	1.8	NA	0	60	NBR / SI / FKM / EPDM	0.16	--
DCN115BNEW060V0	SS304	¼"	6	6	0	1	NBR / SI / FKM / EPDM	0.84	0.84
DCN113BNEW050V0	SS304	¼"	5	4	0	4	NBR / SI / FKM / EPDM	0.73	0.54
DCN104BNEW040V0	SS304	¼"	4	2.5	0	10	NBR / SI / FKM / EPDM	0.54	0.16
DCN105BNEW030V0	SS304	¼"	3	2	0	16	NBR / SI / FKM / EPDM	0.20	0.11
DCN111BNEW025V0	SS304	¼"	2.5	1.8	0	25	NBR / SI / FKM / EPDM	0.16	0.10
DCN118BNEW020V0	SS304	¼"	2	1.3	0	40	NBR / SI / FKM / EPDM	0.11	0.05
DCN117BNEW018V0	SS304	¼"	1.8	1.3	0	60	NBR / SI / FKM / EPDM	0.10	0.05
DCN120BNEW013V0	SS304	¼"	1.3	0.9	0	100	NBR / SI / FKM / EPDM	0.05	0.03
DCN112BNEW012V0	SS304	¼"	1.2	NA	0	150	NBR / SI / FKM / EPDM	0.042	--
DCN713BNEW050V0	SS304	⅜"	5	4	0	4	NBR / SI / FKM / EPDM	0.73	0.54
DCN704BNEW040V0	SS304	⅜"	4	2.5	0	10	NBR / SI / FKM / EPDM	0.54	0.16
DCN705BNEW030V0	SS304	⅜"	3	2	0	16	NBR / SI / FKM / EPDM	0.20	0.11
DCN711BNEW025V0	SS304	⅜"	2.5	1.8	0	25	NBR / SI / FKM / EPDM	0.16	0.10

Technical Data

Model No.	Body Material	Port Size	Orifice (mm)		Min. Operating Pressure Kg/cm ²	Max. Operating Pressure Kg/cm ²	Seal & Diaphragm Material	Flow Factor Kv m ³ / hr	
			NC	NO				NC	NO
DCN718BNEW020V0	SS304	3/8"	2	1.3	0	40	NBR / SI / FKM / EPDM	0.11	0.05
DCN717BNEW018V0	SS304	3/8"	1.8	1.3	0	60	NBR / SI / FKM / EPDM	0.10	0.05
DCN720BNEW020V0	SS304	3/8"	2	0.9	0	100	NBR / SI / FKM / EPDM	0.11	0.03
DCN712BNEW030V0	SS304	3/8"	3	NA	0	150	NBR / SI / FKM / EPDM	0.20	--
DCS226BNEW170V0	SS304	1/2"	17	NA	0	200	NBR / SI / FKM / EPDM	3.20	--
DCN213BNEW050V0	SS304	1/2"	5	4	0	4	NBR / SI / FKM / EPDM	0.73	0.54
DCN204BNEW040V0	SS304	1/2"	4	2.5	0	10	NBR / SI / FKM / EPDM	0.54	0.16
DCN205BNEW030V0	SS304	1/2"	3	2.5	0	16	NBR / SI / FKM / EPDM	0.20	0.16
DCN211BNEW025V0	SS304	1/2"	2.5	1.8	0	25	NBR / SI / FKM / EPDM	0.16	0.10
DCN218BNEW020V0	SS304	1/2"	2	1.3	0	40	NBR / SI / FKM / EPDM	0.11	0.05
DCN217BNEW018V0	SS304	1/2"	1.8	1.3	0	60	NBR / SI / FKM / EPDM	0.10	0.05
DCN220BNEW015V0	SS304	1/2"	1.5	0.9	0	100	NBR / SI / FKM / EPDM	0.07	0.03
DCN212BNEW013V0	SS304	1/2"	1.3	NA	0	150	NBR / SI / FKM / EPDM	0.05	--
DCS202BNIW120V0	SS304	1/2"	12	NA	0	2	NBR / SI / FKM / EPDM	2.10	--
DCN202BNIW120V0	SS304	1/2"	12	NA	0	2	NBR / SI / FKM / EPDM	2.10	--
DCN201BNIW120V0	SS304	1/2"	12	12	0	500	NBR / SI / FKM / EPDM	2.10	2.10
DAN004BNCW020V0	Aluminum	1/8"	2	NA	0	10	NBR / SI / FKM / EPDM	0.11	--
DAN102BNCW025V0	Aluminum	1/4"	2.5	NA	0	2	NBR / SI / FKM / EPDM	0.16	--
DAN104BNCW020V0	Aluminum	1/4"	2	NA	0	10	NBR / SI / FKM / EPDM	0.11	--
DBN014BNCW030V0	Brass	1/8"	3	NA	0	3	NBR / SI / FKM / EPDM	0.20	--
DBN004BNCW020V0	Brass	1/8"	2	NA	0	10	NBR / SI / FKM / EPDM	0.11	--
DBN005BNCW020V0	Brass	1/8"	2	NA	0	16	NBR / SI / FKM / EPDM	0.11	--
DBN104BNCW020V0	Brass	1/4"	2	NA	0	10	NBR / SI / FKM / EPDM	0.11	--
DBN105BNCW020V0	Brass	1/4"	2	NA	0	16	NBR / SI / FKM / EPDM	0.11	--
DCN004BNCW020V0	SS304	1/8"	2	NA	0	10	NBR / SI / FKM / EPDM	0.11	--
DCN005BNCW020V0	SS304	1/8"	2	NA	0	16	NBR / SI / FKM / EPDM	0.11	--
DCN102BNCW020V0	SS304	1/4"	2	NA	0	2	NBR / SI / FKM / EPDM	0.11	--
DCN103BNCW025V0	SS304	1/4"	2.5	NA	0	7	NBR / SI / FKM / EPDM	0.16	--
DCN104BNCW020V0	SS304	1/4"	2	NA	0	10	NBR / SI / FKM / EPDM	0.11	--
DCN105BNCW016V0	SS304	1/4"	1.6	NA	0	16	NBR / SI / FKM / EPDM	0.09	--



Specifications

Port :	Refer below technical data sheet (Available BSP / NPT)				
End Connection :	Screwed				
Body Material :	SS ASTM A351 Grade CF8 / CF8M, Forged Brass, Aluminium				
Diaphragm:	Nitrile (NBR)	EPDM	Viton (FKM)		
Media Temp:	-30°C to 90°C	-10°C to 140°C	-10°C to 180°C		
Circumstance Temp :	-10°C to 70°C				
Media :	Air, Water, Chemical, Gas, Oil, Diesel, Kerosene, LPG.				
Main Features :	Internal Parts are in superior corrosion resistance steel, (Equivalent to SS316L.) Suitable for Food Industries, Pharmaceuticals, Chemical application & Highly corrosive environment.				
Operating Voltage :	24AC	110AC	230AC	12DC	24DC
Power Consumption :	9W	9W	9W	10W	11W
Coil Features :	High Reliability Unaffected by Voltage Surges. Easy coil changes coil lockable in 4X90 position or freely movable in between as require.				
Coil Housing :	Epoxy square coil, Metallic round enclosure, IP-67 Flameproof enclosure, IP-68 Weatherproof enclosure.				
Optional Feature :	90% Power saver series also available.				
Other Specification Data :	Available on Request.				

NOTE: Use of filter in the inlet port is recommended.

Dimension - NC (All dimensions are in mm)

All Dimensions are approx.

Model No.	Port Size	Diagram No.	A	B	C	E	E1
TAN104BNEW015V0	¼"	24.1	45	93	83	44	60
TBN104BNEW015V0	¼"	24.1	43	95	86	44	60
TCN104BNEW015V0	¼"	24.1	43	95	85	44	60
TBN704BNEW015V0	¾"	24.1	48	100	86	44	60
TBN204BNEW015V0	½"	24.1	48	100	87	44	60
TCN204BNEW015V0	½"	24.1	48	100	86	44	60
TBN004BNCW012V0	⅛"	24.1	38	60	51	28	33
TBN104BNCW012V0	¼"	24.1	38	60	51	28	33
TBN003BNAW012V0	⅛"	24.1	16	50	43	21	51

In normally open valve dimension B&C will increase up to 8mm.

Section View



Technical Data

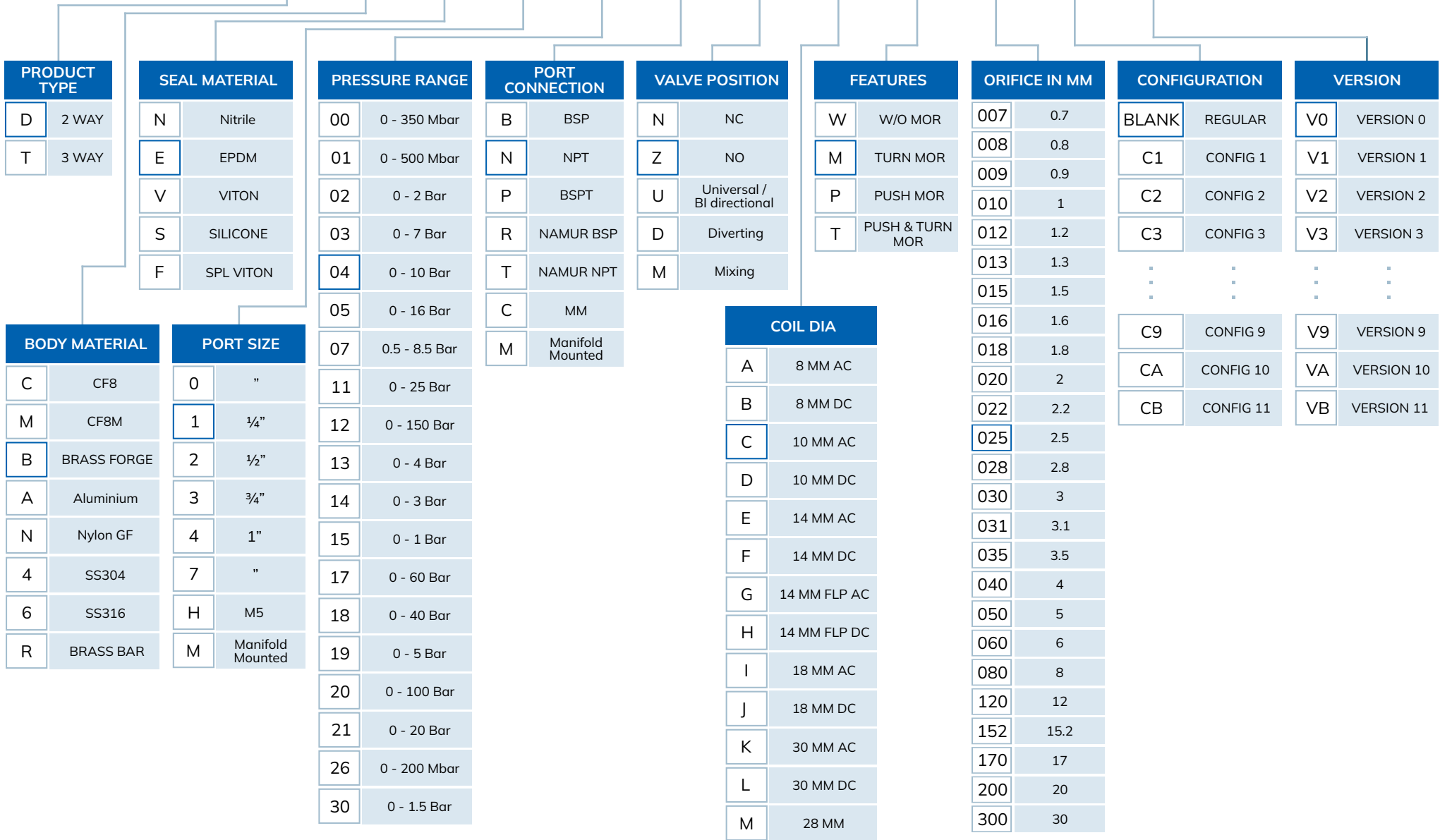
Model No.	Body Material	Port Size	Orifice (mm)		Min. Operating Pressure Kg/cm ²	Max. Operating Pressure Kg/cm ²	Seal & Diaphragm Material	Flow Factor Kv m ³ / hr	
			NC	NO				NC	NO
TAN119BNEW025V0	Aluminium	¼"	2.5	-	0	5	NBR / SI / FKM / EPDM	0.16	--
TAN104BNEW015V0	Aluminium	¼"	1.5	1.5	0	10	NBR / SI / FKM / EPDM	0.07	0.07
TAN105BNEW009V0	Aluminium	¼"	0.9	0.9	0	16	NBR / SI / FKM / EPDM	0.03	0.03
TAN111BNEW009V0	Aluminium	¼"	0.9	0.9	0	25	NBR / SI / FKM / EPDM	0.03	0.03
TAN118BNEW009V0	Aluminium	¼"	0.9	0.9	0	40	NBR / SI / FKM / EPDM	0.03	0.018
TAN104RNEW015V0	Aluminium	In : ¼", Out : Namur	1.5	-	0	10	NBR / SI / FKM / EPDM	0.07	--
TAN104RNET050V0	Aluminium	In : ¼", Out : Namur	5	-	0	10	NBR / SI / FKM / EPDM	0.73	--
TAN704BNEW015V0	Aluminium	¾"	1.5	1.5	0	10	NBR / SI / FKM / EPDM	0.07	0.07
TAN204BNEW015V0	Aluminium	½"	1.5	1.5	0	10	NBR / SI / FKM / EPDM	0.07	0.07

Technical Data

Model No.	Body Material	Port Size	Orifice (mm)		Min. Operating Pressure Kg/cm ²	Max. Operating Pressure Kg/cm ²	Seal & Diaphragm Material	Flow Factor Kv m ³ / hr	
			NC	NO				NC	NO
TAN205BNEW009V0	Aluminium	½"	0.9	0.9	0	16	NBR / SI / FKM / EPDM	0.03	0.03
TBN004BNEW015V0	Brass	⅛"	1.5	NA	0	10	NBR / SI / FKM / EPDM	0.07	--
TBN119BNEW025V0	Brass	¼"	2.5	NA	0	5	NBR / SI / FKM / EPDM	0.16	--
TBN103BNEW015V0	Brass	¼"	1.5	1.5	0	7	NBR / SI / FKM / EPDM	0.07	0.07
TBN104BNEW015V0	Brass	¼"	1.5	1.5	0	10	NBR / SI / FKM / EPDM	0.07	0.07
TBN105BNEW009V0	Brass	¼"	0.9	0.9	0	16	NBR / SI / FKM / EPDM	0.03	0.03
TBN111BNEW009V0	Brass	¼"	0.9	0.9	0	25	NBR / SI / FKM / EPDM	0.03	0.03
TBN118BNEW009V0	Brass	¼"	0.9	0.9	0	40	NBR / SI / FKM / EPDM	0.03	0.03
TBN719BNEW025V0	Brass	⅜"	2.5	NA	0	5	NBR / SI / FKM / EPDM	0.16	--
TBN704BNEW015V0	Brass	⅜"	1.5	1.5	0	10	NBR / SI / FKM / EPDM	0.07	0.07
TBN705BNEW009V0	Brass	⅜"	0.9	0.9	0	16	NBR / SI / FKM / EPDM	0.03	0.03
TBN711BNEW009V0	Brass	⅜"	0.9	0.9	0	25	NBR / SI / FKM / EPDM	0.03	0.03
TBN219BNEW025V0	Brass	½"	2.5	NA	0	5	NBR / SI / FKM / EPDM	0.16	--
TBN204BNEW015V0	Brass	½"	1.5	1.5	0	10	NBR / SI / FKM / EPDM	0.07	0.07
TBN211BNEW009V0	Brass	½"	0.9	0.9	0	25	NBR / SI / FKM / EPDM	0.03	0.03
TBN205BNEW009V0	Brass	½"	0.9	0.9	0	16	NBR / SI / FKM / EPDM	0.03	0.03
TBN218BNEW009V0	Brass	½"	0.9	0.9	0	40	NBR / SI / FKM / EPDM	0.03	0.03
TCN119BNEW025V0	SS304	¼"	2.5	NA	0	5	NBR / SI / FKM / EPDM	0.16	--
TCN104BNEW015V0	SS304	¼"	1.5	1.5	0	10	NBR / SI / FKM / EPDM	0.07	0.07
TCN105BNEW009V0	SS304	¼"	0.9	0.9	0	16	NBR / SI / FKM / EPDM	0.03	0.03
TCN118BNEW009V0	SS304	¼"	0.9	0.9	0	40	NBR / SI / FKM / EPDM	0.03	0.03
TCN111BNEW009V0	SS304	¼"	0.9	0.9	0	25	NBR / SI / FKM / EPDM	0.03	0.03
TCN719BNEW025V0	SS304	⅜"	2.5	NA	0	5	NBR / SI / FKM / EPDM	0.16	--
TCN704BNEW015V0	SS304	⅜"	1.5	1.5	0	10	NBR / SI / FKM / EPDM	0.07	0.07
TCN705BNEW009V0	SS304	⅜"	0.9	0.9	0	16	NBR / SI / FKM / EPDM	0.03	0.03
TCN711BNEW009V0	SS304	⅜"	0.9	0.9	0	25	NBR / SI / FKM / EPDM	0.03	0.03
TCN219BNEW025V0	SS304	½"	2.5	NA	0	5	NBR / SI / FKM / EPDM	0.16	--
TCN204BNEW015V0	SS304	½"	1.5	1.5	0	10	NBR / SI / FKM / EPDM	0.07	0.07
TCN205BNEW009V0	SS304	½"	0.9	0.9	0	16	NBR / SI / FKM / EPDM	0.03	0.03
TCN211BNEW009V0	SS304	½"	0.9	0.9	0	25	NBR / SI / FKM / EPDM	0.03	0.03
TAN104BUET050V0	Aluminium	¼"	5	NA	0	10	NBR / SI / FKM / EPDM	0.73	--
TAN104BNCW012V0	Aluminium	¼"	1.2	NA	0	10	NBR / SI / FKM / EPDM	0.04	--
TBN014BNCW025V0	Brass	⅛"	2.5	NA	0	3	NBR / SI / FKM / EPDM	0.16	--
TBN004BNCW012V0	Brass	⅛"	1.2	NA	0	10	NBR / SI / FKM / EPDM	0.04	--
TBN104BNCW012V0	Brass	¼"	1.2	NA	0	10	NBR / SI / FKM / EPDM	0.04	--
TBN103BNCW012V0	Brass	¼"	1.2	NA	0	7	NBR / SI / FKM / EPDM	0.04	--
TBN114BNCW025V0	Brass	¼"	1.2	NA	0	3	NBR / SI / FKM / EPDM	0.04	--
TCN004BNCW012V0	SS304	⅛"	1.2	NA	0	10	NBR / SI / FKM / EPDM	0.04	--
TCN103BNCW016V0	SS304	¼"	1.2	NA	0	7	NBR / SI / FKM / EPDM	0.04	--
TCN003BNEW080V0	SS304	⅛"	1.2	NA	0	7	NBR / SI / FKM / EPDM	0.04	--

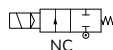
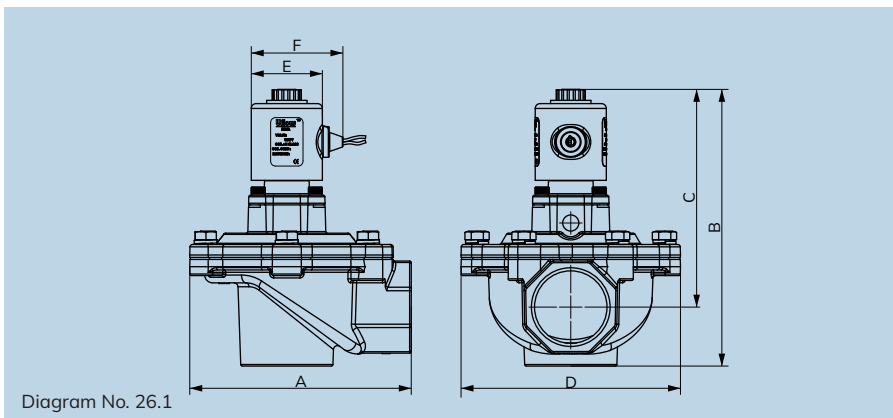
DIRECT ACTING SOLENOID VALVE MODEL IDENTIFICATION CHART

D B E 1 04 N Z C M 025 - V0



DBE104NZCM025V0

1/4" 2 WAY DIRECT ACTING BRASS-EPDM-0 TO 10kg-NPT-NO-10mm AC-MOR-2.5mm ORIFICE



Specifications

Port :	Refer below technical data sheet (Available BSP, NPT)				
End Connection :	Screwed				
Body Material :	Aluminum Die Cast				
Diaphragm:	Nitrile (NBR)				
Media Temp:	-30°C to 90°C				
Circumstance Temp :	-10°C to 70°C				
Media :	Air				
Main Features :	Internal Parts are in superior corrosion resistance steel, (Equivalent to SS316L) Suitable for Air Pollution Control System, Bag Filter Machine				
Operating Voltage :	24AC	110AC	230AC	12DC	24DC
Power Consumption :	9W	9W	9W	10W	11W
Coil Features :	High Reliability Unaffected by Voltage Surges. Easy coil changes coil lockable in 4X90 position or freely movable in between as require.				
Coil Housing :	Epoxy square coil, Metallic round enclosure, IP-67 Flameproof enclosure, IP-68 Weatherproof enclosure.				
Optional Feature :	90% Power saver series also available.				
Other Specification Data :	Available on Request - Brass silencer to reduce extra noise				

NOTE: Use of filter in the inlet port is recommended.

Technical Data

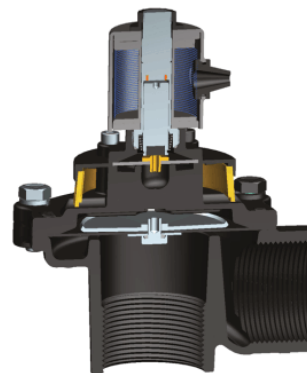
Model No.	Body Material	Pipe (Inch)	Orifice (mm)	Min. Operating Pressure Kg/cm ²	Max. Operating Pressure Kg/cm ²	Seal & Diaphragm Material	Flow Factor Kv m ³ / hr
JAN407BERV0	Aluminium	1"	28.50	0.5	8.5	NBR	16
JAN607BERV0	Aluminium	1½"	51	0.5	8.5	NBR	40
JAN807BERV0	Aluminium	2"	52	0.5	8.5	NBR	78
JAN907BERV0	Aluminium	2½"	65	0.5	8.5	NBR	120

Dimension (All dimensions are in mm)

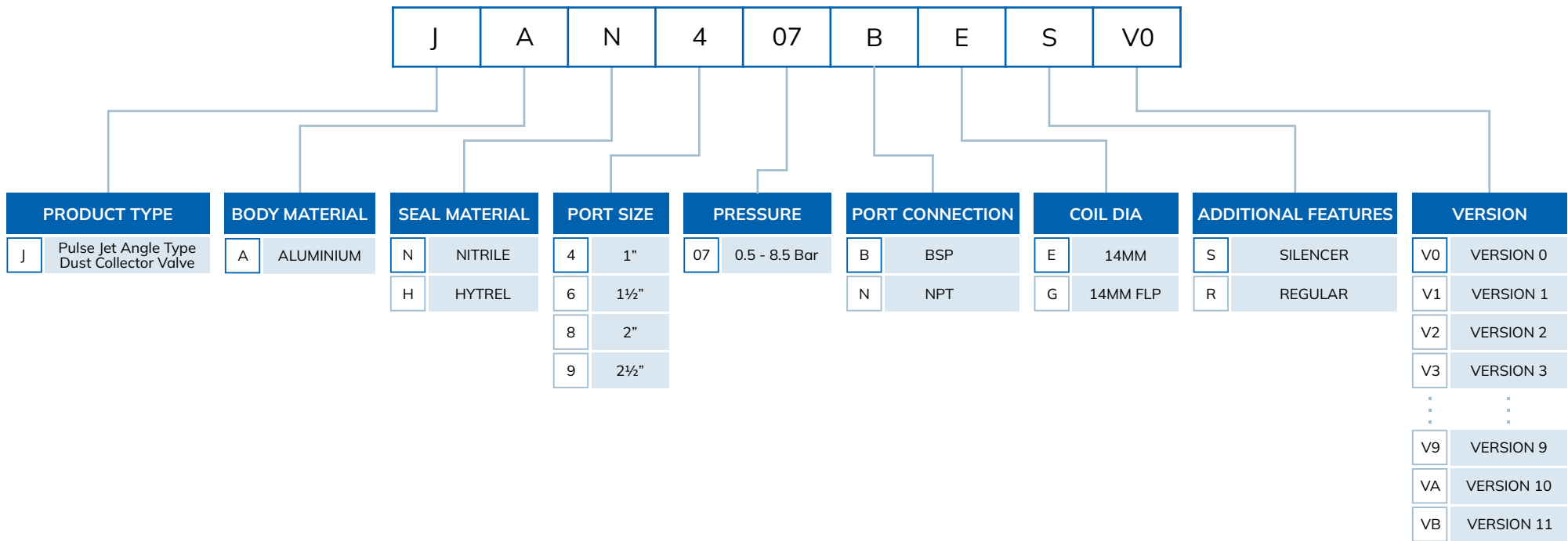
All Dimensions are approx.

Model No.	Port Size	Diagram No.	A	B	C	D	E1	E
JAN407BERV0	1"	26.1	89	134	110	75	44	57
JAN607BERV0	1½"	26.1	137	172	135	136	44	57
JAN807BERV0	2"	26.1	170	206	161	169	44	57
JAN907BERV0	2½"	26.1	170	206	161	169	44	57

Section View



PULSE JET ANGLE TYPE DUST COLLECTOR TYPE SOLENOID VALVE MODEL IDENTIFICATION CHART

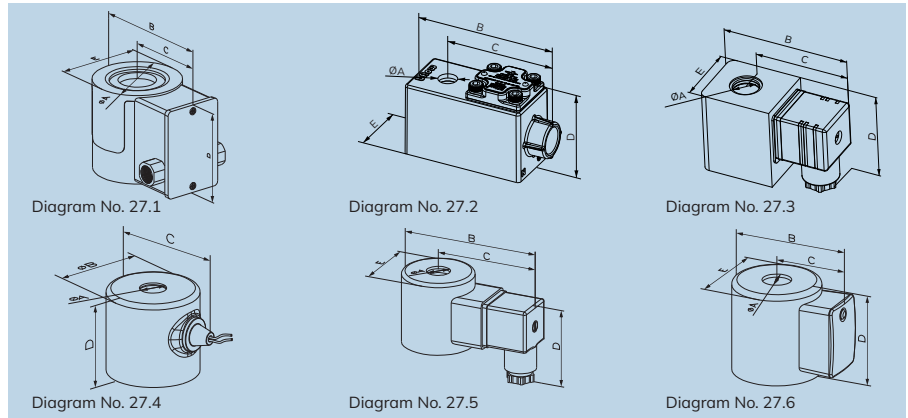
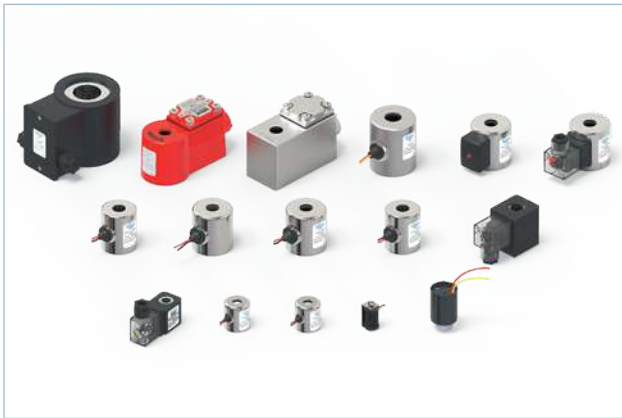


JAN407BESV0

1" PULSE JET ANGLE TYPE DUST COLLECTOR ALUMINIUM-NITRILE-0.5 TO 8.5 Bar-BSP-14MM-SILENCER



SOLENOID COIL
SERIES



Specifications

Port :	Epoxy Moulded With LED Din Connector, Metallic Round Shape With Lead Wire, IP-67 Flame Proof Junction Box, IP-68 Weather Proof-Metallic Round Enclosure, IP-67 Weather Proof Junction Box				
Coil Bore Diameter :	5mm, 8mm, 10mm, 12mm, 14mm, 16mm, 18mm, 28mm, 30mm				
Class :	H-Class, Weather Proof IP-68, Flame Proof IP-67				
Voltage :	24AC	110AC	230AC	12DC	24DC
Watt :	9W	8W / 30W	8W / 17W / 30W	10W / 6W	11W / 6W
Duty :	Non Latching - Continues Duty - 100%, Latching - Required pulse in millisecond.				
Main Features :	Surge Suppressor for High Wattage Coil. 90% Power saver series also available, Latching Coil.				
Latching Coil Benefits :	Remote or Battery operated application A situation where a valve needs to be open/actuated for an extended period of time Continuous operation of solenoid coil generates heat, and certain portion of it get dissipated into the media flowing through the valve, hence to avoid such heat generation and dissipation, Latching coil is recommended. End connections in Flame Proof Junction Box , Weather Proof Junction Box are available in - 1/2" NPT - 3/4" NPT - M20 X 1.5				

We Are Introducing New Power Saver Series (VA Series) Served by Our R&D Department, This New Latest Technology Saves Up to 90% of Power.

BENEFITS:

- ✓ Reduce Battery Drain
- ✓ Reduce Wiring Cost
- ✓ Reduce Temperature Rise
- ✓ Low Wattage
- ✓ Energy Savings
- ✓ Improve Valve Performance at High Pressure

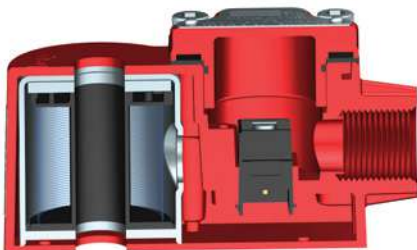
Dimension (All dimensions in mm)

All Dimensions are approx.

Type	Diagram No.	A	B	C	D	E
Epoxy Moulded Round Coil	27.1	30.5	105	69	75	71
Flame proof Junction Box IP67	27.2	14.5	112	86	63	52
Epoxy Moulded With LED Din Connector	27.3	14.5	71	53	49	36
Epoxy Moulded With LED Din Connector	27.3	10.3	65	52	46	26
Metallic Round Enclosure With Lead Wire	27.4	14.5	44	57	48	-
Metallic Round Enclosure With Lead Wire	27.4	10.3	28	34	30	-
Metallic Round Enclosure LED Din Connector	27.5	14.5	85	63	50	44
Epoxy Moulded With LED Din Connector	27.3	18.5	84	57	58	54
Metallic Round Enclosure With Lead Wire	27.4	18.5	50	62	61	-
Metallic Round Enclosure Power Saver	27.6	14.5	61	39	49	44
Weather Proof Junction Box IP67	27.2	18.5	130	102	67	55
Weather Proof Round Enclosure	27.4	12	29	-	48	-

- ✓ Metallic Round Enclosure Weather proof coils complies as per IS/IEC-60529-2001 (Approved by ERDA) (IP-68).
- ✓ Weather proof junction Box coils complies as per IS/IEC-60529-2001 (Approved by ERDA) (IP-67).
- ✓ Flame Proof Junction Box conforming as per Is/IEC-60079-1:2007 (Approved by CIMFR).
- ✓ Coils are suitable for IIC Atmosphere Condition (Zone 1&2 Gas Group).
- ✓ Flame Proof Series are followed under BIS.
- ✓ For Flame Proof Condition Working Environment Coils are licensed under PESO.

Section View Flame Proof Junction Box



SOLENOID COIL MODEL IDENTIFICATION CHART

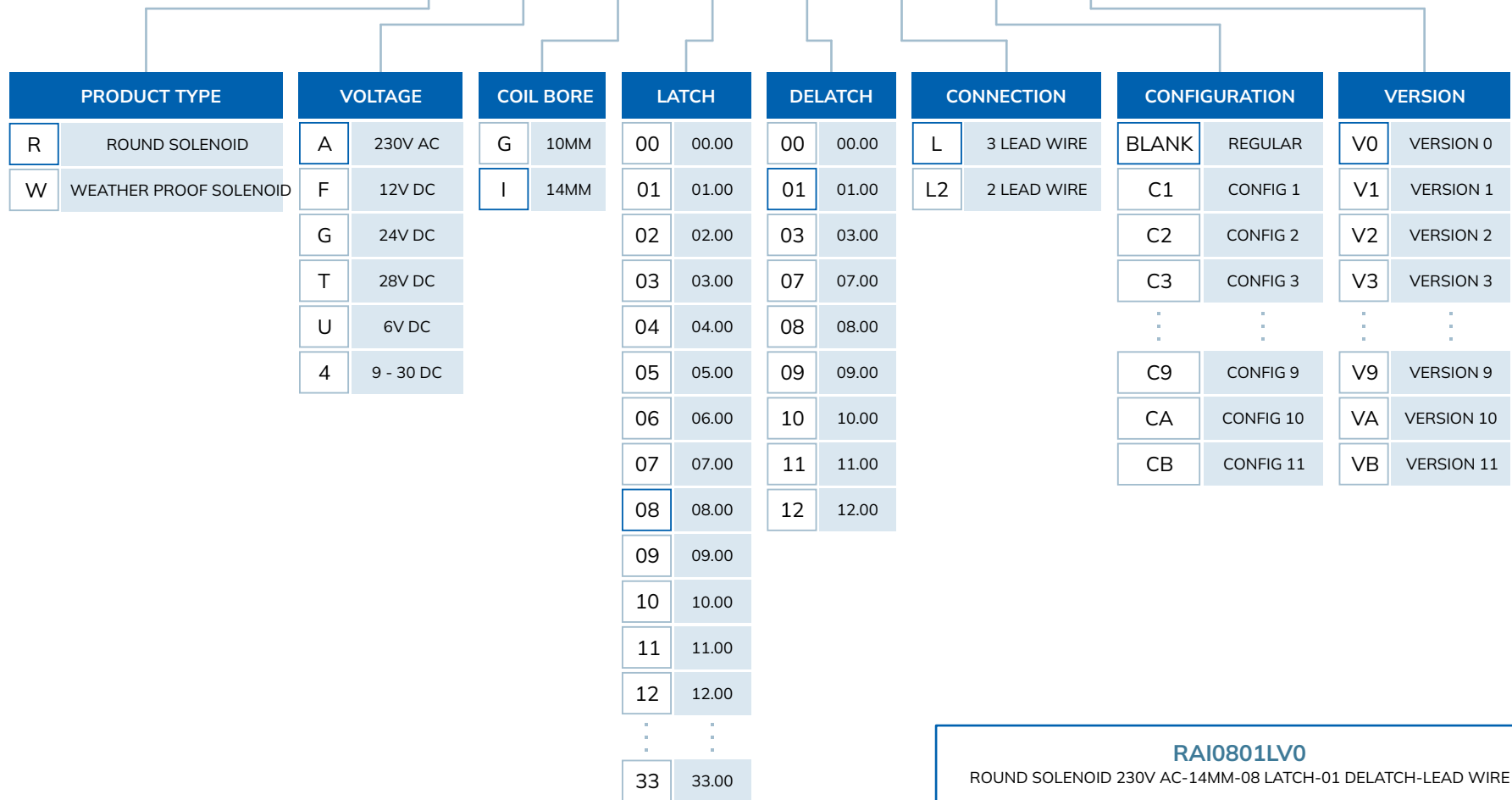
R A I 08 L - V0

PRODUCT TYPE		VOLTAGE		COIL BORE		WATTAGE		CONNECTION		CONFIGURATION		VERSION	
R	ROUND SOLENOID	A	230V AC	F	08MM	00	00.00	S	SOCKET	BLANK	REGULAR	V0	VERSION 0
M	EPOXY SOLENOID	B	24V AC	G	10MM	01	01.00	L	LEAD WIRE	C1	CONFIG 1	V1	VERSION 1
W	WEATHER PROOF SOLENOID	C	42V AC	I	14MM	02	02.00	H	½" NPT	C2	CONFIG 2	V2	VERSION 2
F	FLAME PROOF JUNCTION BOX	D	48V AC	K	18 MM	03	03.00	M	M20 X 1.5	C3	CONFIG 3	V3	VERSION 3
P	POWER SAVER SOLENOID	E	110V AC	P	28 MM	04	04.00	T	¾" NPT	⋮	⋮	⋮	⋮
B	IP67 WEATHER PROOF JUNCTION BOX	F	12V DC	Q	30 MM	05	05.00	B	BARE LUG	C9	CONFIG 9	V9	VERSION 9
S	SQUARE	G	24V DC	E	05 MM	06	06.00			CA	CONFIG 10	VA	VERSION 10
		I	400V FAC	D	12 MM	07	07.00			CB	CONFIG 11	VB	VERSION 11
		J	230V FAC	J	16 MM	08	08.00						
		M	24V FAC			09	09.00						
		N	415V AC			10	10.00						
		O	36V DC			11	11.00						
		P	110V FAC			12	12.00						
		Q	110V DC			⋮	⋮						
		R	48V DC			33	33.00						
		S	120V AC										
		T	28V DC										
		U	6V DC										
		V	280V AC										
		W	9V DC										
		X	256V DC										
		Y	330V FAC										
		Z	220V DC										
		1	415V FAC										
		2	400V AC										
		3	480V AC										
		4	5V DC										

RAI08LV0
ROUND SOLENOID 230V AC-14MM-08 WATT-LEAD WIRE

LATCHING SOLENOID COIL MODEL IDENTIFICATION CHART

R A I 08 01 L - V0



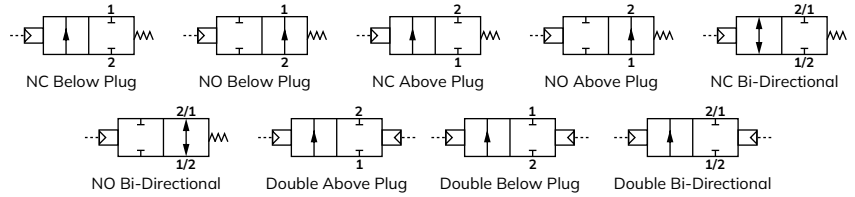
RAI0801LV0
 ROUND SOLENOID 230V AC-14MM-08 LATCH-01 DELATCH-LEAD WIRE



**ANGLE SEAT VALVE
SERIES**



Angle seat valves are 2/2 way pneumatically actuated piston valves. The piston actuator provides a linear motion to lift the seal off its seat. Because the seat is positioned under an angle, the flow is minimally impeded in the open position, resulting in an excellent flow rate and a low pressure loss. They are used to regulate the flow of liquids, gases, steam, vacuum and even aggressive fluids. They can also operate with high temperatures and high viscosity media, even under zero differential pressures. The robust design makes UFLOW angle seat valves a popular choice for harsh applications and they have very high life cycle. Therefore they are an excellent alternative to Ball valves with actuator combo. These valves are also suitable alternatives for solenoid valves, especially with contaminated, viscous media where typical solenoid valves would fail. They may be operated using a single acting or double acting configuration, which has an influence on its pressure rating.



Specifications

Port :	Refer below technical data sheet (Available BSP / NPT)
End Connection :	Screwed / Flange / Tri-Clamp
Body & Sleeve Material :	SS ASTM A351 Grade CF8 / CF8M / CF3M
Seal :	TEFLON / PEEK / VITON
Shaft :	SS304 / SS316
Circumstance Temp :	-10°C to 70°C
Media Temp :	-10°C to 180°C

Features

- Convertible from single Acting to Double Acting.
- Multiple Function with the same operator - NC / NO / Bi-Directional.
- Rotatable Actuator- 360°.
- Transparent dome for visual confirmation of the valve's position/state
- Lubricated air not essential.
- Flow direction below or above the seat.
- Media: Steam, Air, Water, Chemical, Gases, Oil, Diesel, Hot Water.
- Application: Steam, Autoclave and Sterilizer, Ink and Paint dispensing, Industrial compressor bottling and dispensing equipment, textile dying and drying and pharmaceutical.

Section View



Actuator Type

Cover :	Nylon Glass-Filled (Corrosion resistive) with SS Liner
Seal :	NBR / VITON
Working Pressure :	Refer Below Pressure Chart Table
Life :	Three Million Cycle Tested
Other Technical Data :	Available on Request

Dimension With Screwed End (All dimensions in mm)

All Dimensions are approx.

Model No.	Actuator	Port Size	Diagram No.	A	B	C	D	E	F	G	H	I
ACP2054BNV0	40	½"	28.1	65	144	131	154	65	24	G¾"	32	M5
ACP2055BNV0	50	½"	28.1	65	153	141	163	70	24	G¾"	32	M5
ACP2056BNV0	63	½"	28.1	65	171	158	181	85	24	G¾"	32	M5
ACP3054BNV0	40	¾"	28.1	77	150	134	161	65	24	G¾"	32	M5
ACP3055BNV0	50	¾"	28.1	77	160	144	171	70	24	G¾"	32	M5
ACP3056BNV0	63	¾"	28.1	77	177	161	187	85	24	G¾"	32	M5
ACP4055BNV0	50	1"	28.1	89	177	157	185	70	24	G¾"	32	M5
ACP4056BNV0	63	1"	28.1	89	194	174	202	85	24	G¾"	32	M5
ACP4059BNV0	90	1"	28.1	89	221	201	229	126	24	G¾"	32	M5
ACP5056BNV0	63	1¼"	28.1	110	199	175	209	85	24	G¾"	32	M5
ACP5059BNV0	90	1¼"	28.1	110	233	209	244	126	24	G¾"	32	M5
ACP6056BNV0	63	1½"	28.1	124	212	184	220	85	24	G¾"	32	M5
ACP6059BNV0	90	1½"	28.1	124	239	212	247	126	24	G¾"	32	M5
ACP8059BNV0	90	2"	28.1	150	260	227	269	126	24	G¾"	32	M5
ACP9039BNV0	90	2½"	28.1	168	281	239	262	126	24	G¾"	32	M5

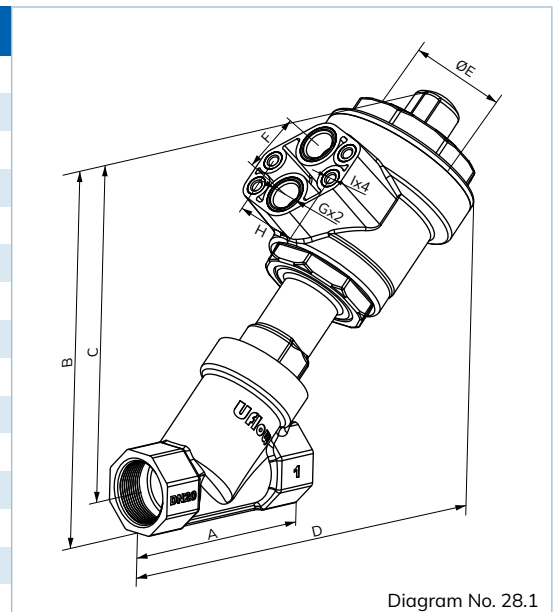


Diagram No. 28.1

Dimension With Flange (ASME 16.5 #150) (All dimensions in mm)

All Dimensions are approx.

Model No.	Actuator	Port Size	Diagram No.	A	B	C	D	E	F	G	H	I	J	K	L	M	NXO
ACP2054FNVO	40	½"	28.2	163	176	131	165	65	24	G¼"	32	M5	8	90	38	60	16X4
ACP2055FNVO	50	½"	28.2	163	186	141	175	70	24	G¼"	32	M5	8	90	38	60	16X4
ACP2056FNVO	63	½"	28.2	163	203	158	192	85	24	G¼"	32	M5	8	90	38	60	16X4
ACP3054FNVO	40	¾"	28.2	172	184	134	171	65	24	G¼"	32	M5	9	100	46	70	16X4
ACP3055FNVO	50	¾"	28.2	172	194	144	181	70	24	G¼"	32	M5	9	100	46	70	16X4
ACP3056FNVO	63	¾"	28.2	172	211	161	198	85	24	G¼"	32	M5	9	100	46	70	16X4
ACP4055FNVO	50	1"	28.2	181	212	157	196	70	24	G¼"	32	M5	10	110	54	79	16X4
ACP4056FNVO	63	1"	28.2	181	229	174	208	85	24	G¼"	32	M5	10	110	54	79	16X4
ACP4059FNVO	90	1"	28.2	181	256	201	240	126	24	G¼"	32	M5	10	110	54	79	16X4
ACP5056FNVO	63	1¼"	28.2	182	239	182	234	85	24	G¼"	32	M5	13	115	64	M5	M5
ACP5059FNVO	90	1¼"	28.2	182	267	209	262	126	24	G¼"	32	M5	13	115	64	M5	M5
ACP6056FNVO	63	1½"	28.2	212	247	184	242	85	24	G¼"	32	M5	13	125	76	98	16X4
ACP6059FNVO	90	1½"	28.2	212	274	212	269	126	24	G¼"	32	M5	13	125	76	98	16X4
ACP8059FNVO	90	2"	28.2	208	302	226	275	126	24	G¼"	32	M5	14	150	94	121	16X4
ACP9039FNVO	90	2½"	28.2	231	329	239	294	126	24	G¼"	32	M5	13	180	106	140	16X4

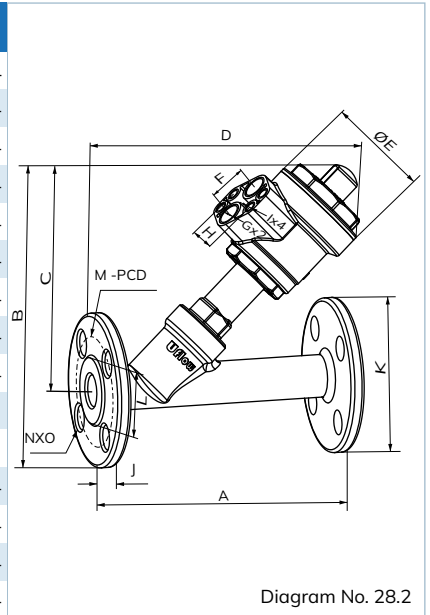


Diagram No. 28.2

Dimension With Tri-Clamp (All dimensions in mm)

All Dimensions are approx.

Model No.	Actuator	Port Size	Diagram No.	A	B	C	D	E	F	G	H	I
ACP2054TNVO	40	½"	28.3	163	176	131	165	65	24	G¼"	32	M5
ACP2055TNVO	50	½"	28.3	163	186	141	175	70	24	G¼"	32	M5
ACP2056TNVO	63	½"	28.3	163	203	158	192	85	24	G¼"	32	M5
ACP3054TNVO	40	¾"	28.3	172	184	134	171	65	24	G¼"	32	M5
ACP3055TNVO	50	¾"	28.3	172	194	144	181	70	24	G¼"	32	M5
ACP3056TNVO	63	¾"	28.3	172	211	161	198	85	24	G¼"	32	M5
ACP4055TNVO	50	1"	28.3	181	212	157	196	70	24	G¼"	32	M5
ACP4056TNVO	63	1"	28.3	181	229	174	208	85	24	G¼"	32	M5
ACP4059TNVO	90	1"	28.3	181	256	201	240	126	24	G¼"	32	M5
ACP5056TNVO	63	1¼"	28.3	182	239	182	234	85	24	G¼"	32	M5
ACP5059TNVO	90	1¼"	28.3	182	267	209	262	126	24	G¼"	32	M5
ACP6056TNVO	63	1½"	28.3	212	247	184	242	85	24	G¼"	32	M5
ACP6059TNVO	90	1½"	28.3	212	274	212	269	126	24	G¼"	32	M5
ACP8059TNVO	90	2"	28.3	208	302	226	275	126	24	G¼"	32	M5
ACP9039TNVO	90	2½"	28.3	231	329	239	294	126	24	G¼"	32	M5

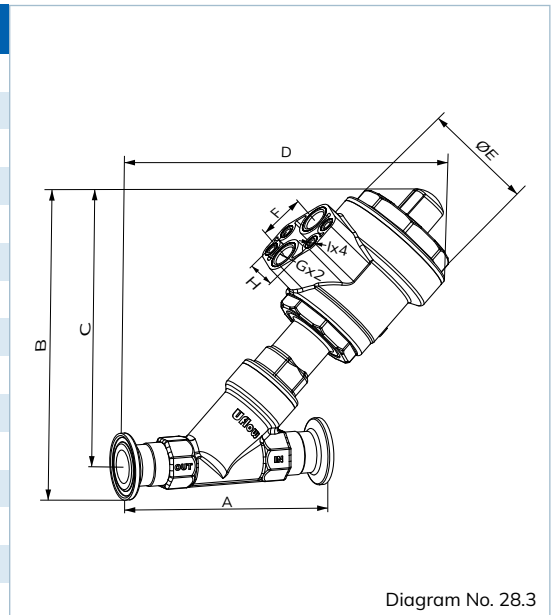


Diagram No. 28.3

Technical Data

Pipe (Inch)	Body Material	Orifice (mm)	Seal & 'O' Ring Material	Flow Factor Kv m³ / hr
½"	CF8 / CF8M	15	PTFE / PEEK / VITON	6
¾"	CF8 / CF8M	20	PTFE / PEEK / VITON	10.9
1"	CF8 / CF8M	25	PTFE / PEEK / VITON	21
1¼"	CF8 / CF8M	32	PTFE / PEEK / VITON	35
1½"	CF8 / CF8M	40	PTFE / PEEK / VITON	49
2"	CF8 / CF8M	50	PTFE / PEEK / VITON	68
2½"	CF8 / CF8M	65	PTFE / PEEK / VITON	120

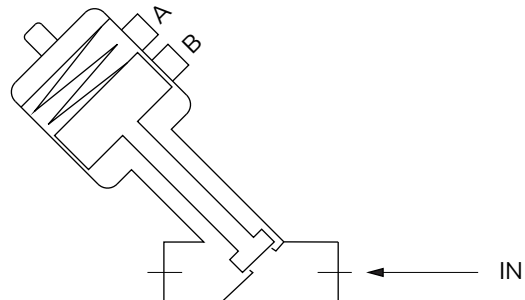
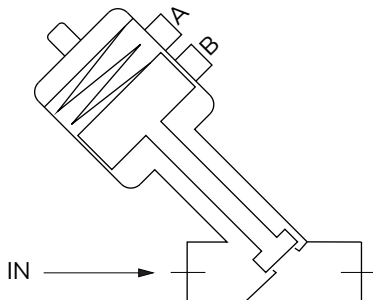
Pressure Chart

Pipe (Inch)	Actuator	NC				NO				Double Acting			
		Above Plug		Below Plug		Above Plug		Below Plug		Above Plug		Below Plug	
		Pilot Pressure	Line Pressure	Pilot Pressure	Line Pressure	Pilot Pressure	Line Pressure	Pilot Pressure	Line Pressure	Pilot Pressure	Line Pressure	Pilot Pressure	Line Pressure
½"	40	4	16	-	-	6	16	-	-	4.5	20	4	16
		4.5	20	-	-	6	18	-	-	3	16	4.5	20
¾"	40	5.2	16	-	-	-	-	-	-	3.8	16	4.5	16
		6.2	19	-	-	-	-	-	-	5	20	5	20
		-	-	-	-	-	-	-	-	-	-	-	-
¾"	50	4.5	16	-	-	4	13	6.5	12	3.5	16	5	16
		5.5	20	-	-	-	-	-	-	4.5	20	5.5	20
		-	-	-	-	-	-	-	-	-	-	-	-
1"	63	5	16	-	-	4.5	15	7	8	3.5	16	4.5	16
		5.8	20	-	-	-	-	-	-	4.5	20	5	20
		-	-	-	-	-	-	-	-	-	-	-	-
1¼"	63	6	16	-	-	4.5	13	-	-	5	16	6	16
		6.5	20	-	-	-	-	-	-	6	20	6.5	20
		7	12	-	-	-	-	7	9	5	10	-	-
1½"	63	-	-	-	-	4.5	8	-	-	7	16	-	-
		-	-	-	-	-	-	-	-	-	-	-	-
		4.5	16	-	-	4.5	10	7	9	4.5	16	4	16
1½"	90	5	20	-	-	-	-	-	-	5	20	5	20
		-	-	-	-	-	-	-	-	-	-	-	-
		6.5	16	-	-	6	16	7	10	5	16	7	18
2"	90	7	19	-	-	-	-	-	-	6.2	20	-	-
		-	-	-	-	-	-	-	-	-	-	-	-
		7	10.5	-	-	-	-	-	-	-	-	-	-
2½"	90	5	7	-	-	-	-	-	-	-	-	-	
		-	-	-	-	-	-	-	-	-	-	-	-

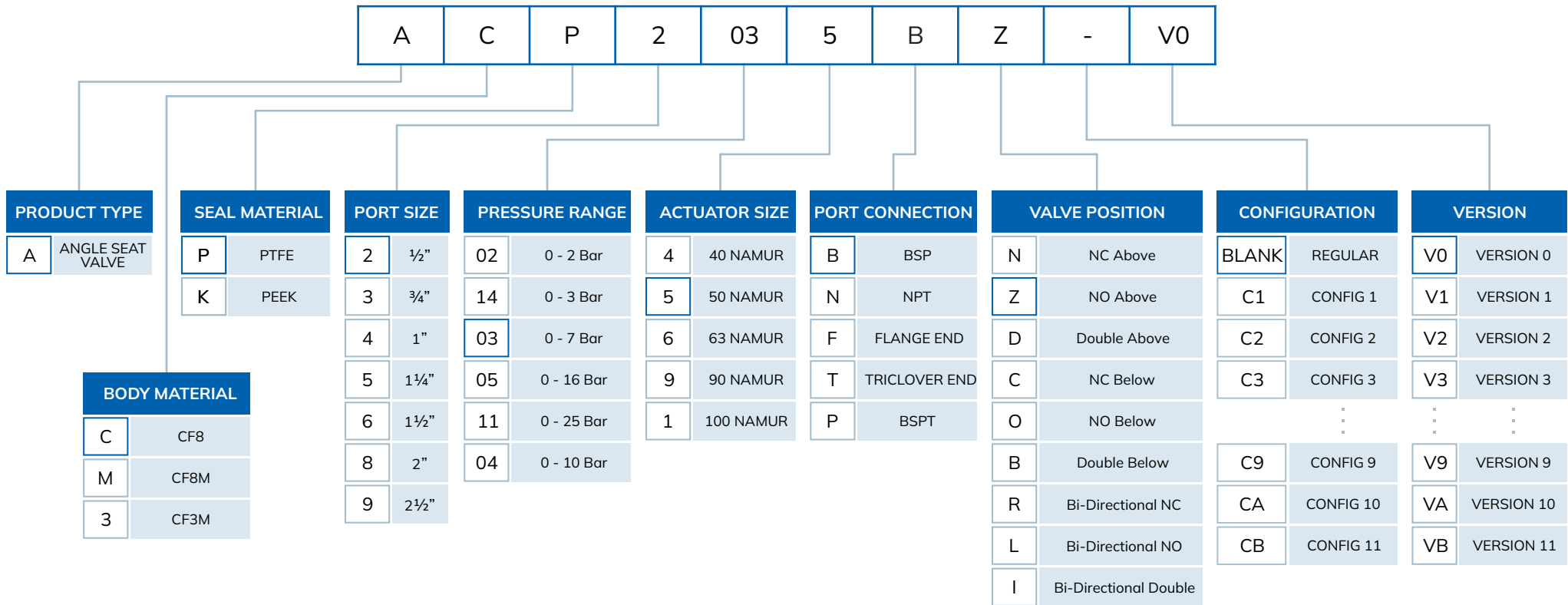
Pressure Above Plug

Pressure Below Plug

	A	B
Normally Open	Pilot Inlet	Exhaust
Normally Close	Exhaust	Pilot Inlet



ANGLE SEAT VALVE WITH PLASTIC ACTUATOR OPERATED MODEL IDENTIFICATION CHART



ACP2035BZV0
1/2" ANGLE SEAT VALVE CF8-PTFE-0 TO 7 Bar-50 NAMUR-BSP-NO ABOVE

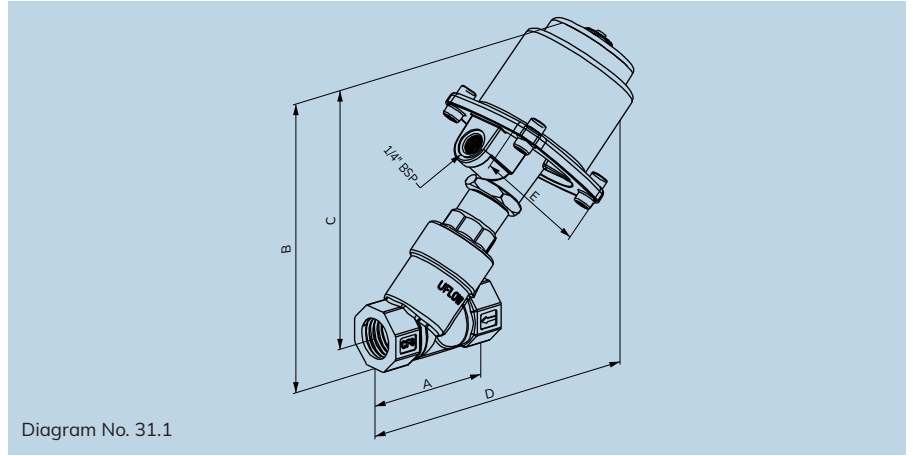
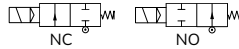


Diagram No. 31.1



Specifications

Port :	Refer below technical data sheet (Available BSP / NPT)
End Connection :	Screwed / Flange / Tri-Clamp
Body Material :	SS ASTM A351 Grade CF8 / CF8M / CF3M
Seal :	TEFLON / VITON
Circumstance Temp :	-10°C to 70°C
Media Temp :	-10°C to 180°C
Media :	Steam, Air, Water, Chemical, Gases, Oil, Diesel, Hot Water

Dimension - NC (All dimensions in mm)

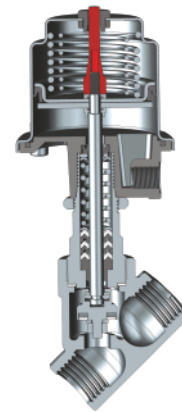
All Dimensions are approx.

Model No.	Port Size	Diagram No.	A	B	C	D	E
YCP205BNV0	½"	31.1	65	155	142	165	90
YCP305BNV0	¾"	31.1	77	161	145	171	90
YCP405BNV0	1"	31.1	89	182	162	190	90
YCP505BNV0	1¼"	31.1	110	198	174	209	90
YCP605BNV0	1½"	31.1	124	202	175	210	90
YCP803BNV0	2"	31.1	150	225	191	234	90

Actuator Type

Cover :	SS304
Plate :	Aluminium Die-Cast
Working Pressure :	3.5 to 7 bar air (Not Recommended actuator for pneumatic pressure above 7 bar)
Seal Material :	NBR / VITON
Life :	More than ten million cycle
Other Technical Data :	Available on Request

Section View



Technical Data

Model No.	Body Material	Pipe (Inch)	Orifice (mm)	Min. Operating Pressure Kg/cm ²	Max. Operating Pressure Kg/cm ²	Seal & 'O' Ring Material	Flow Factor Kv m ³ / hr
YCP205BNV0	CF8 / CF8M	½"	15	0	16	PTFE / VITON /EPDM	6
YCP305BNV0	CF8 / CF8M	¾"	20	0	16	PTFE / VITON /EPDM	10.9
YCP405BNV0	CF8 / CF8M	1"	25	0	16	PTFE / VITON /EPDM	21
YCP505BNV0	CF8 / CF8M	1¼"	32	0	16	PTFE / VITON /EPDM	35
YCP605BNV0	CF8 / CF8M	1½"	40	0	16	PTFE / VITON /EPDM	49
YCP803BNV0	CF8 / CF8M	2"	50	0	07	PTFE / VITON /EPDM	68

ANGLE SEAT VALVE WITH STEEL ACTUATOR OPERATED MODEL IDENTIFICATION CHART

Y C P 2 03 B Z - V0

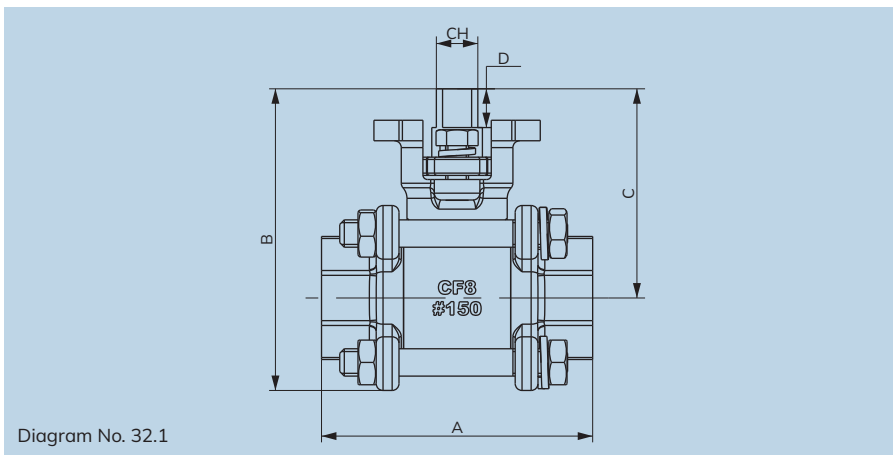
PRODUCT TYPE		SEAL MATERIAL		PORT SIZE		PRESSURE RANGE		PORT CONNECTION		VALVE POSITION		CONFIGURATION		VERSION	
Y	Y TYPE SS OPERATOR	P	PTFE	2	½"	02	0 - 2 Bar	B	BSP	N	NC Above	BLANK	REGULAR	V0	VERSION 0
		K	PEEK	3	¾"	14	0 - 3 Bar	P	BSPT	Z	NO Above	C1	CONFIG 1	V1	VERSION 1
				4	1"	03	0 - 7 Bar	N	NPT	C	NC Below	C2	CONFIG 2	V2	VERSION 2
				5	1¼"	05	0 - 16 Bar	F	FLANGE END	O	NO Below	C3	CONFIG 3	V3	VERSION 3
				6	1½"	11	0 - 25 Bar	T	TRICLOVER END	R	Bi-Directional NC	⋮	⋮	⋮	⋮
				8	2"	21	0 - 20 Bar			L	Bi-Directional NO	C9	CONFIG 9	V9	VERSION 9
						04	0 - 10 Bar					CA	CONFIG 10	VA	VERSION 10
												CB	CONFIG 11	VB	VERSION 11

BODY MATERIAL	
C	CF8
M	CF8M
3	CF3M

YCP203BZV0
 1/2" Y TYPE OPERATOR CF8-PTFE-0 TO 7 Bar-BSP-NO ABOVE



BALL VALVE
SERIES



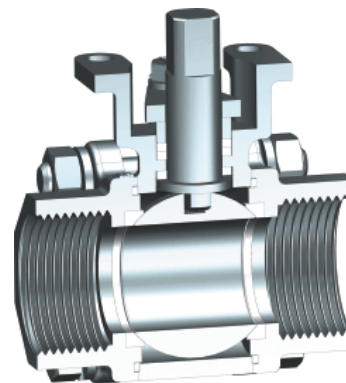
Specifications

End Connection :	Screwed end, Socket Weld
Size :	DN15 - DN100
Face to Face :	MFG. Standard
Design Standard :	ASME B16.11, ASME B16.34, API 598, BS EN ISO 17292, ISO 5211
Pressure Class :	150#
Body Material :	CF8 / CF8M / WCB / CF3M
Pipe End Material :	CF8 / CF8M / WCB / CF3M
Ball Material :	CF8 / CF8M
Body Seal Material :	PTFE / RPTFE / CFT / GFT / PEEK
Seat Ring Material :	PTFE / RPTFE / CFT / GFT / PEEK
Fastener Material :	SS304 / SS316
Stem Seal Material :	PTFE / RPTFE / CFT / GFT / PEEK
Stem Material :	SS304 / SS316 / SS410
Gland Bush Material :	SS304 / SS316 / SS410
Gland Material :	SS304 / SS316 / SS410

Features

- 3PC design twinned ball valve.
- Full port ball valve.
- Blow out proof stem.
- Floating ball design.
- Hand Lever / Gear / Actuator Operated.
- Face to Face:- MFG standard.
- End Connection:- Screwed / Socket weld (ASME B16.11).
- Balls are precision machined and mirror finished for bubble-tight shut off with less operating torque.
- ISO 5211 top mounting pad available for easy Uflow make actuator mounting.

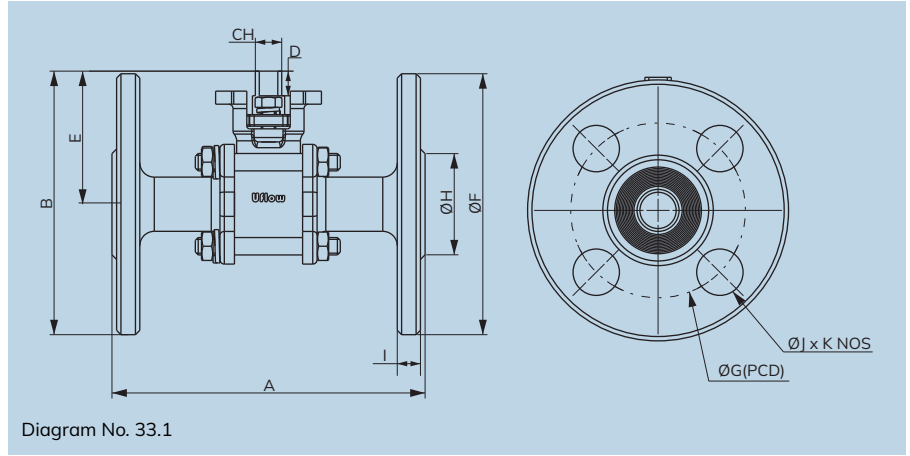
Section View



All dimensions are approx.

Dimension (All dimensions in mm)

Model No.	Diagram No.	Pipe (Inch)	A	B	CH	D	C	ISO 5211
BCPC2ABFBV0	32.1	½"	59.50	66	9.1	8.5	46	F03
BCPC3ABFBV0	32.1	¾"	57	71	9.1	8.5	50	F03
BCPC4ABFBV0	32.1	1"	75.70	90	11	13.5	61.5	F05
BCPC5ABFBV0	32.1	1¼"	85	102.7	10	13	70	F05
BCPC6ABFBV0	32.1	1½"	93.60	110	11	13	73.5	F05
BCPC8ABFBV0	32.1	2"	109	139.6	14	13	83	F05
BCPC9ABFBV0	32.1	2½"	139	173	14	15	108.5	F07
BCPCAABFBV0	32.1	3"	166	199	17	20.5	123.5	F07
BCPCBABFBV0	32.1	4"	193	236	22	21.5	143	F07



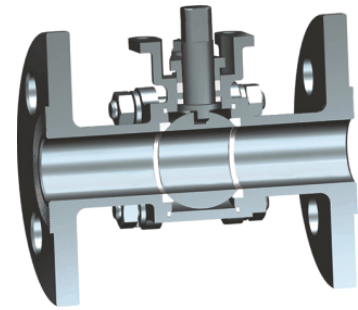
Specifications

End Connection :	Flange end, Butt weld
Face to Face :	ASME B 16.10 (Flange end)
Pressure Class :	150#
Design Standard :	ASME B16.10, ASME B16.25, ASME B16.34, ASME B16.5, API 598, BS EN ISO 17292, ISO 5211
Body Material :	CF8 / CF8M / WCB / CF3M
Tail Piece Material :	CF8 / CF8M / WCB / CF3M
Ball Material :	CF8 / CF8M
Body Seal Material :	PTFE / RPTFE / CFT / GFT / PEEK
Seat Ring Material :	PTFE / RPTFE / CFT / GFT / PEEK
Fastener Material :	SS304 / SS316
Stem Seal Material :	PTFE / RPTFE / CFT / GFT / PEEK
Stem Material :	SS304 / SS316 / SS410
Gland Bush Material :	SS304 / SS316 / SS410
Gland Material :	SS304 / SS316 / SS410

Features

- 3PC design twinseal ball valve.
- Full port ball valve.
- Blow out proof stem.
- Floating ball design.
- Hand Lever / Gear / Actuator Operated.
- Face to Face:- ASME B16.10.
- End Connection:- Flanged (ASME B16.5), Butt-weld (ASME B16.25)
- Balls are precision machined and mirror finished for bubble-tight shut off with less operating torque.
- ISO 5211 top mounting pad available for easy Uflow make actuator mounting.

Section View



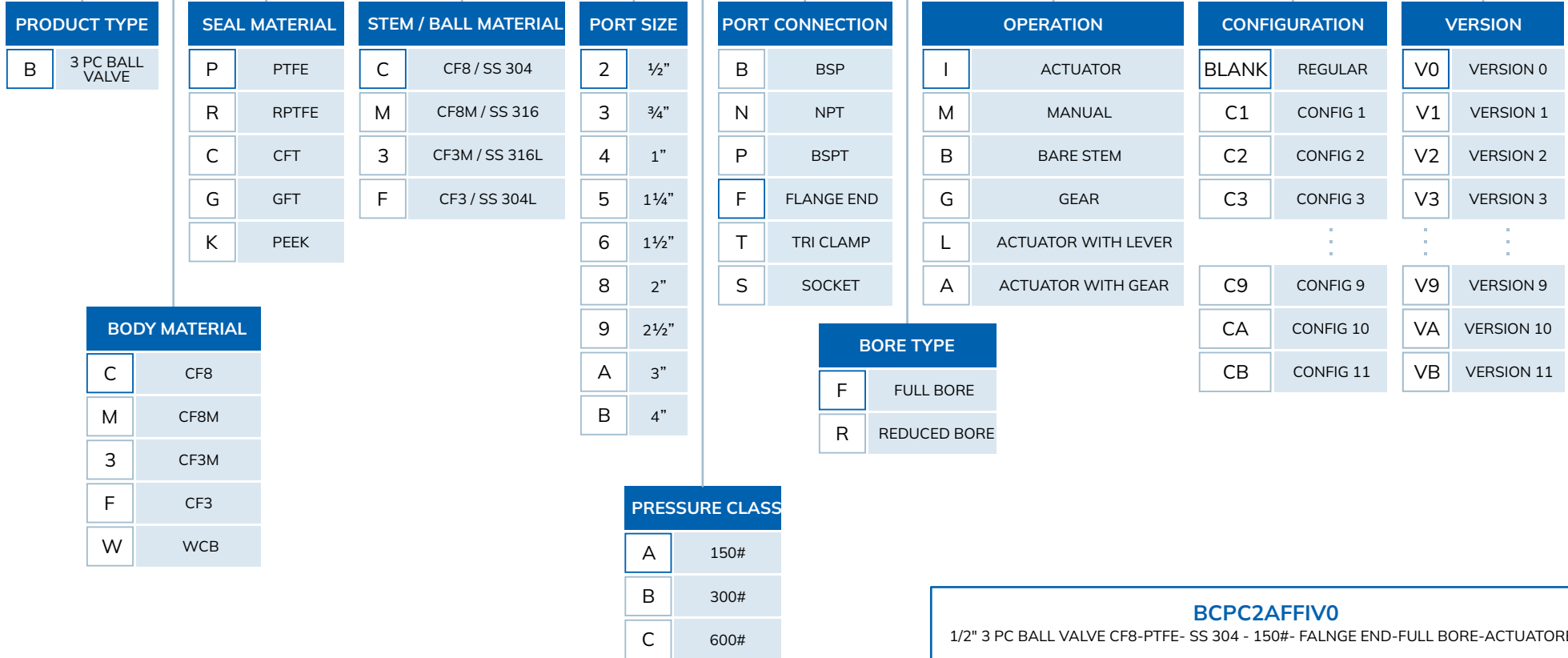
Dimension (All dimensions in mm)

All dimensions are approx.

Model No.	Diagram No.	Pipe (Inch)	A	B	CH	D	E	F	G	H	I	J	K	ISO 5211
BCPC2AFFBV0	33.1	½"	108	91	9.1	8.5	46	90	60.5	35	8	16	4	F03
BCPC3AFFBV0	33.1	¾"	117	100	9.1	9	50	100	70	44.5	9	16	4	F03
BCPC4AFFBV0	33.1	1"	127	117	11	13.5	61.5	110	79.5	51	9.6	16	4	F05
BCPC5AFFBV0	33.1	1¼"	140	127	10	13	70	115	89	68	11.2	16	4	F05
BCPC6AFFBV0	33.1	1½"	165	136	11	13	73.5	125	98.5	73	12.5	16	4	F05
BCPC8AFFBV0	33.1	2"	178	169	14	15.5	94	150	121	92	14.5	19	4	F05
BCPC9AFFBV0	33.1	2½"	190	198.5	14	15	108.5	180	139.5	105	16	19.5	4	F07
BCPCAFFBV0	33.1	3"	203	214.5	17	16.5	119.5	190	152.5	127	17.5	19.5	4	F07
BCPCBAFFBV0	33.1	4"	229	259	22	23	144	230	190.5	157	22.5	19	8	F07

BALL VALVE MODEL IDENTIFICATION CHART

B C P C 2 A F F I - V0



BCPC2AFFIVO
 1/2" 3 PC BALL VALVE CF8-PTFE- SS 304 - 150#- FALNGE END-FULL BORE-ACTUATORE



BUTTERFLY VALVE
SERIES

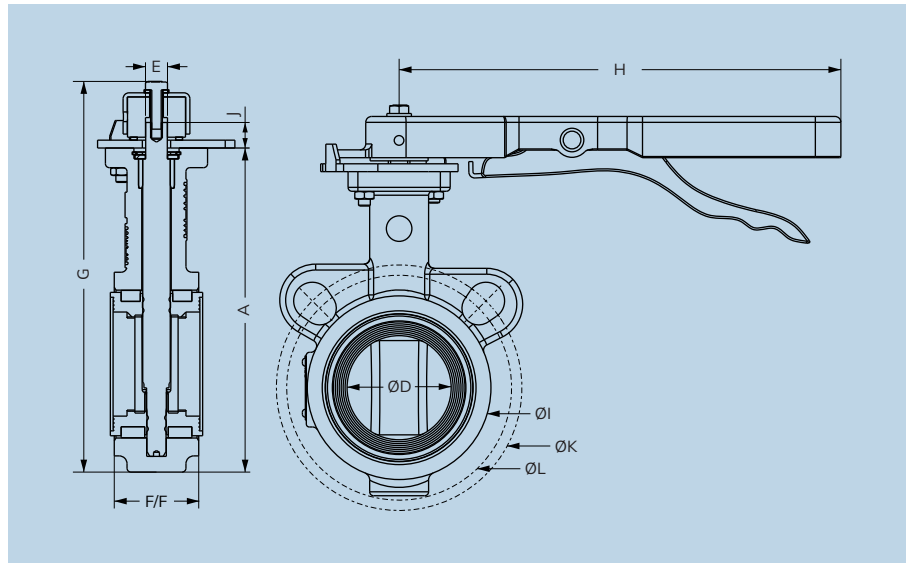
Specifications

End Connection :	Wafer - API 609 (CAT - A)
Range :	DN40 - DN300
Suitable :	ASMI B16.5 150#
Pressure Range :	PN10, PN16
Leakage Class :	100% Tightness at fully differential pressure
Standard :	API 609, BS 5155, ISO 5211, API 598, ASME B16.5
Body Material :	Cast Iron(CI), SGI, WCB, CF8, CF8M
Disc Material :	SGI, CF8, CF8M, WCB
Stem Material :	SS410, SS304, SS316
Body Liner / Seat Material :	NBR, EPDM, VITON, SILICONE, PTFE
Shaft Bearing Material :	PTFE

Features

- ☑ Bi-directional zero leakage butterfly valve.
- ☑ ISO Pad for mounting, Gear Operator / Actuator
- ☑ Extremely small play between the stem and disc due to 'Double D' drive.
- ☑ Accurate dual stem sealing prevents leakage.
- ☑ Butterfly valve can be mounted between flanges as per ASME.
- ☑ 100% Tested With Pneumatic And Fluid (Water) Media.
- ☑ Design Standard : ISO 5211, API 609, ASME B16.5 150#.
- ☑ Face to Face Dimension : API 609 (CAT A).
- ☑ Operator mounting flange : As per ISO 5211.
- ☑ Operator : Hand Lever / Gear / Actuator
- ☑ Leakage Class : 100% tightness at full differential Pressure.

Hand Lever Operated Wafer Type Butterfly Valve

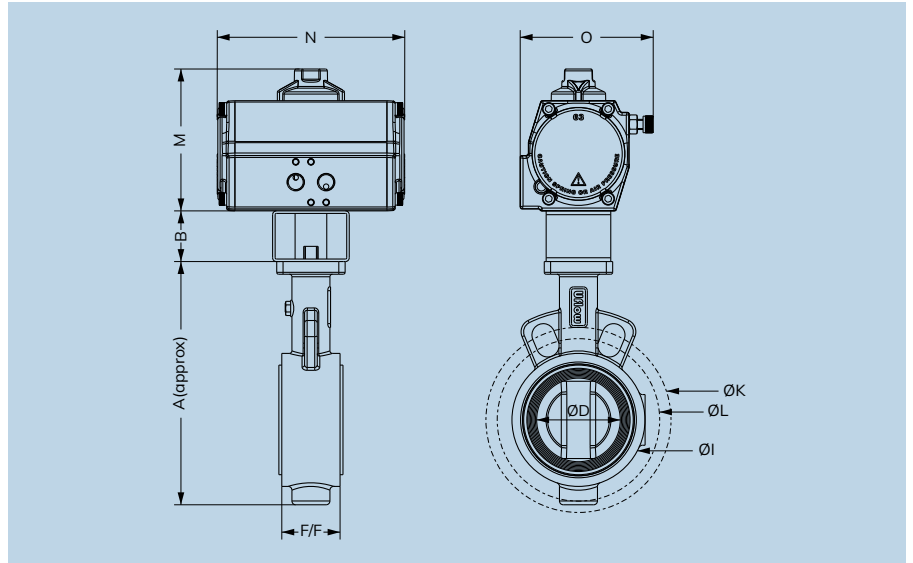


Technical Data (All dimensions are in mm)

All dimensions are approx.

Size	A	ØD	F/F	ØI	ØK	ØL	G	J	H	E	MOUNTING FLANGE
40 MM	140	42	33	73	105	98	173	12	225	11	F05
50 MM	165	53	43	93	125	114	199	13	225	11	F05
65 MM	192	66	46	105	145	127	226	12	225	11	F05
80 MM	218	80	46	126	164	146	252	14	225	11	F05
100 MM	243	104	52	150	190	179	27	17	260	14	F07
125 MM	276	125	56	175	216	200	310	20	260	17	F07
150 MM	310	150	56	203	241	225	344	19	260	17	F07
200 MM	404	200	60	263	298	292	442	22	290	22	F07/10
250 MM	452	246	68	315	362	350	509	25	290	22	F10
300 MM	561	297	83	375	432	399	610	32	353	27	F10

Pneumatic Operated Wafer Type Butterfly Valve - PN10



Technical Data - Butterfly Valve with Double Acting Actuator (All dimensions are in mm)

All dimensions are approx.

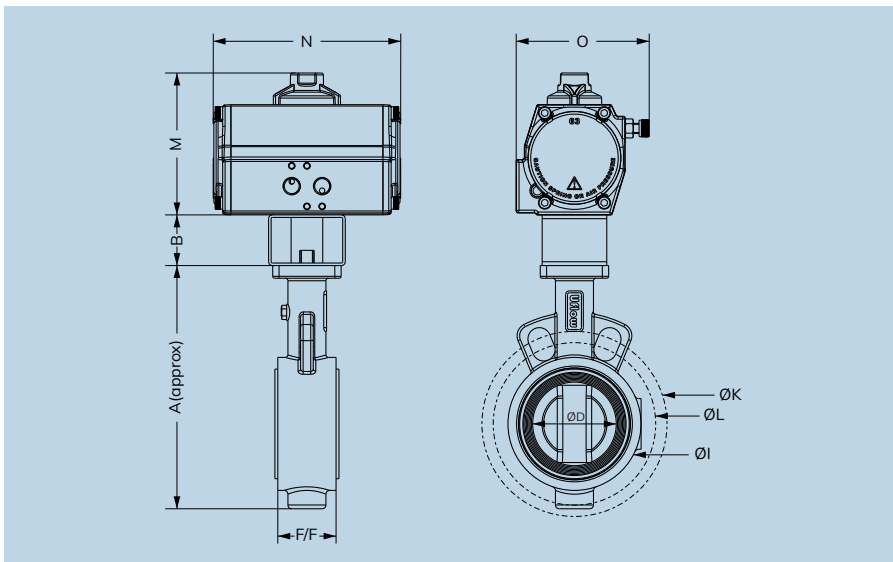
Size	Actuator	Coupler	A	B	ØD	F/F	ØI	ØK	ØL	M	N	O	Mounting Flange
40 MM	50	NA	140	-	42	33	73	105	98	99	125	85	F05
50 MM	50	NA	165	-	53	43	93	125	114	99	125	85	F05
65 MM	50	NA	192	-	66	46	105	145	127	99	125	85	F05
80 MM	50	NA	218	-	80	46	126	164	146	99	125	85	F05
100 MM	63	NA	243	-	104	52	150	190	179	112	147	105	F07
125 MM	80	NA	276	-	125	56	175	216	200	128	170	114	F07
150 MM	80	NA	310	-	150	56	203	241	225	128	170	114	F07
200 MM	100	NA	404	-	200	60	263	298	292	154	220	150	F07/10
250 MM	125	NA	452	-	246	68	315	362	350	185	389	174	F10

Technical Data - Butterfly Valve with Single Acting Actuator (All dimensions are in mm)

All dimensions are approx.

Size	Actuator	Coupler	A	B	ØD	F/F	ØI	ØK	ØL	M	N	O	Mounting Flange
40 MM	50	NA	140	-	42	33	73	105	98	99	162	85	F05
50 MM	50	NA	165	-	53	43	93	125	114	99	162	85	F05
65 MM	63	C1455V0	192	60	66	46	105	145	127	112	202	105	F05
80 MM	80	C1755V0	218	40	80	46	126	164	146	128	294	114	F05
100 MM	100	C4277V0	243	40	104	52	150	190	179	153	324	145	F07
125 MM	100	C7277V0	276	40	125	56	175	216	200	157	324	145	F07
150 MM	125	C7270V0	310	61	150	56	203	241	225	185	389	173	F10

Pneumatic Operated Wafer Type Butterfly Valve - PN16



Technical Data - Butterfly Valve With Double Acting Actuator (All dimensions are in mm)

All dimensions are approx.

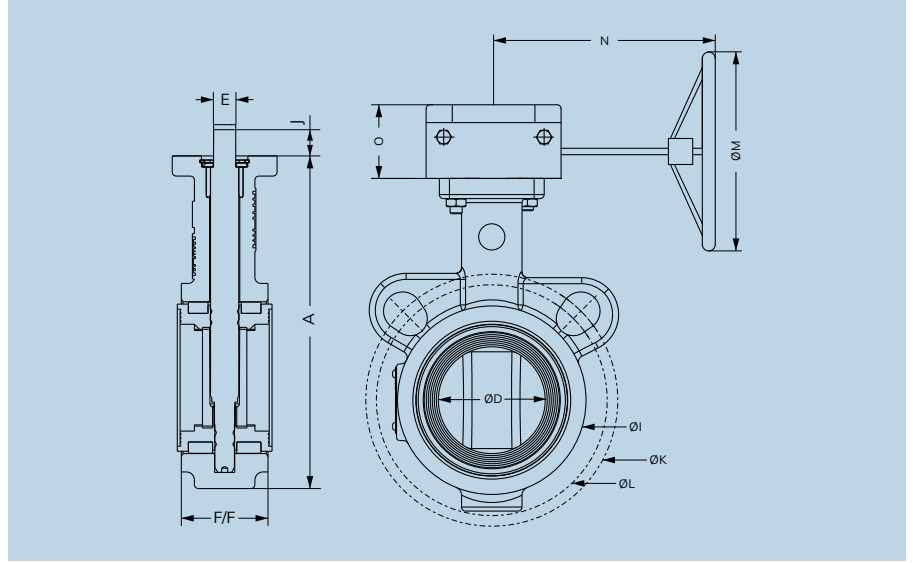
Size	Actuator	Coupler	A	B	ØD	F/F	ØI	ØK	ØL	M	N	O	Mounting Flange
40 MM	50	NA	140	-	42	33	73	105	98	99	125	85	F05
50 MM	50	NA	165	-	53	43	93	125	114	99	125	85	F05
65 MM	50	NA	192	-	66	46	105	145	127	99	125	85	F05
80 MM	63	C1455V0	218	60	80	46	126	164	146	99	147	91	F05
100 MM	80	C4777V0	243	40	104	52	150	190	179	112	170	105	F07
125 MM	80	NA	276	-	125	56	175	216	200	128	170	114	F07
150 MM	100	C7277V0	310	40	150	56	203	241	225	128	220	114	F07
200 MM	125	NA	404	-	200	60	263	298	292	154	389	150	F07/10

Technical Data - Butterfly Valve With Single Acting Actuator (All dimension are in mm)

All dimensions are approx.

Size	Actuator	Coupler	A	B	ØD	F/F	ØI	ØK	ØL	M	N	O	Mounting Flange
40 MM	63	C1455V0	140	60	42	33	72	105	98	112	202	105	F05
50 MM	80	C1755V0	165	40	53	43	91	125	114	128	234	114	F05
65 MM	80	C1755V0	192	40	66	46	97	145	127	128	234	114	F05
80 MM	100	C1257V0	218	40	80	46	117	164	146	153.5	324	145	F05
100 MM	100	C4277V0	243	40	104	52	149	190	179	153.5	324	145	F07
125 MM	125	C7277V0	276	40	125	56	169	216	200	185	389	173	F07

Gear Box Operated Wafer Type Butterfly Valve



Technical Data (All dimensions are in mm)

All dimensions are approx.

Size	A	D	F/F	ØI	ØK	ØL	E	J	ØM	N	O	Mounting Flange
40 MM	140	42	33	73	105	98	11	12	-	-	-	F05
50 MM	165	53	43	93	125	114	11	13	175	203	48	F05
65 MM	192	66	46	105	145	127	11	12	175	203	48	F05
80 MM	218	80	46	126	164	146	11	14	175	203	48	F05
100 MM	243	104	52	150	190	179	14	17	175	203	48	F07
125 MM	276	125	56	175	216	200	17	20	175	203	48	F07
150 MM	310	150	56	203	241	225	17	19	175	203	48	F07
200 MM	404	200	60	263	298	292	22	22	175	203	48	F07/10
250 MM	452	246	68	315	362	350	22	25	253	223	62	F07
300 MM	561	297	83	375	432	399	27	32	353	261	73	F10

WAFER END BUTTERFLY VALVE MODEL IDENTIFICATION CHART

R I E 8 1 C 1 W I - V0

PRODUCT TYPE	
R	BUTTERFLY VALVE

SEAL MATERIAL	
E	EPDM
N	NBR
V	VITON
S	SILICONE
P	PTFE

PORT SIZE	
6	1½"
8	2"
9	2½"
A	3"
B	4"
C	5"
D	6"
E	8"
F	10"
G	12"

DISC MATERIAL	
C	CF8
M	CF8M
W	WCB
S	SGI
D	DUCTILE IRON

PORT CONNECTION	
W	WAFER END

OPERATION	
I	ACTUATOR
M	MANUAL
B	BARE STEM
G	GEAR
L	ACTUATOR WITH LEVER
A	ACTUATOR WITH GEAR

CONFIGURATION	
BLANK	REGULAR
C1	CONFIG 1
C2	CONFIG 2
C3	CONFIG 3
⋮	⋮
C9	CONFIG 9
CA	CONFIG 10
CB	CONFIG 11

VERSION	
V0	VERSION 0
V1	VERSION 1
V2	VERSION 2
V3	VERSION 3
⋮	⋮
V9	VERSION 9
VA	VERSION 10
VB	VERSION 11

BODY MATERIAL	
I	CI
S	SGI
D	DUCTILE IRON
W	WCB
C	CF8
M	CF8M

STEM MATERIAL	
1	SS 410
4	SS 304
6	SS 316

PRESSURE CLASS	
1	PN10
2	PN16

RIE81C1WIV0
2" BUTTERFLY VALVE-CI-EPDM-PN10-CF8-SS 410-WAFER END-ACTUATORE

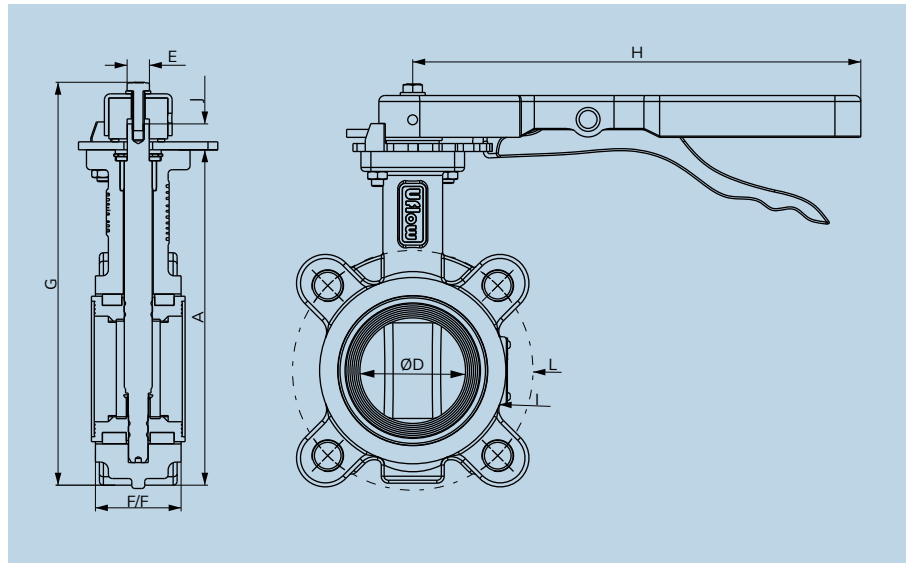
Specifications

End Connection :	Lug
Range :	DN50 - DN150
Suitable :	ASMI B16.5 150#
Pressure Range :	PN10, PN16
Leakage Class :	100% Tightness at fully differential pressure
Standard :	API 609, BS 5155, ISO 5211, API 598, ASME B16.5
Body Material :	Cast Iron(CI), SGI, WCB, CF8, CF8M
Disc Material :	SGI, CF8, CF8M, WCB
Stem Material :	SS410, SS304, SS316
Body Liner / Seat Material :	NBR, EPDM, VITON, SILICONE, PTFE
Shaft Bearing Material :	PTFE

Features

- ☑ Bi-directional zero leakage butterfly valve.
- ☑ ISO Pad for mounting, Gear Operator / Actuator
- ☑ Extremely small play between the stem and disc due to 'Double D' drive.
- ☑ Accurate dual stem sealing prevents leakage.
- ☑ Standard flanged drilling : PN10/PN16, JIS 10K/16K, ASME 125/150#
- ☑ 100% Tested With Pneumatic And Fluid (Water) Media.
- ☑ Design Standard : ISO 5211, API 609, ASME B16.5 150#.
- ☑ Face to Face Dimension : API 609 (CAT A).
- ☑ Operator mounting flange : As per ISO 5211.
- ☑ Operator : Hand Lever / Gear / Actuator
- ☑ Leakage Class : 100% tightness at full differential Pressure.

Hand Lever Operated Lug Type Butterfly Valve

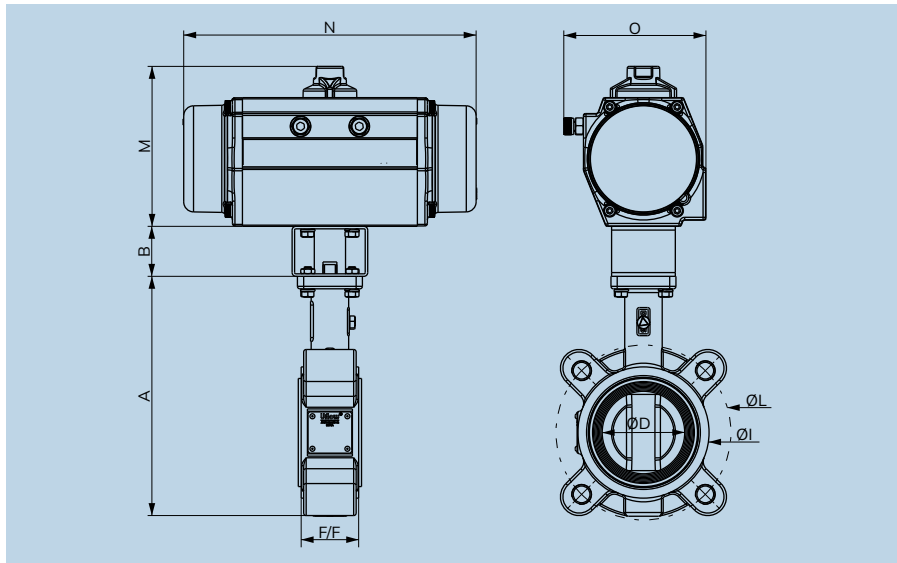


Technical Data (All dimensions are in mm)

All dimensions are approx.

Size	A	ØD	F/F	ØI	ØL	G	J	H	E	MOUNTING FLANGE
50 MM	168	53	43	93	120	202	13	225	11	F05
65 MM	191	66	46	105	140	224	12	225	11	F05
80 MM	214	80	46	126	152.5	248	14	225	11	F05
100 MM	258	104	52	150	190.5	289	17	260	14	F07
125 MM	287	125	56	175	216	320	20	260	17	F07
150 MM	318	150	56	203	241	350	19	260	17	F07

Pneumatic Operated Lug Type Butterfly Valve - PN10



Technical Data - Butterfly Valve with Double Acting Actuator (All dimensions are in mm)

All dimensions are approx.

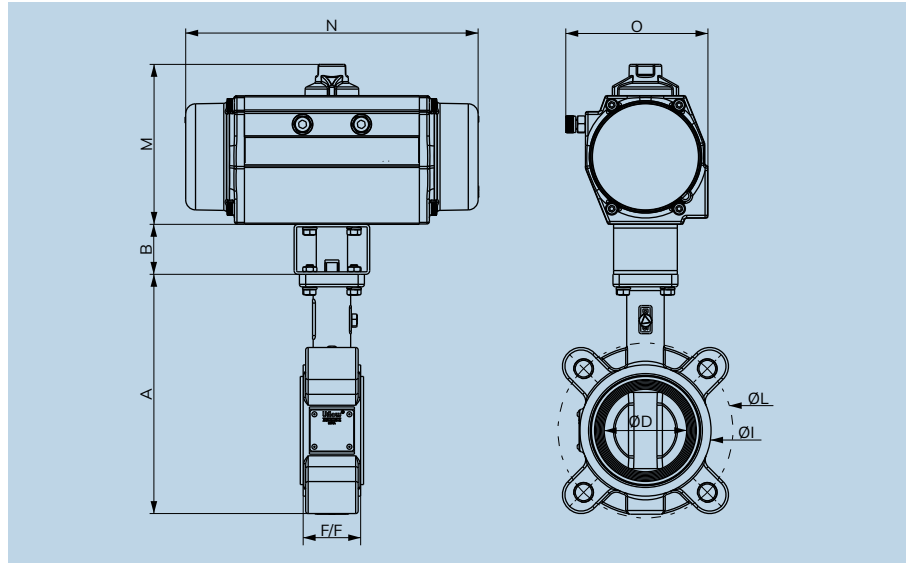
Size	Actuator	Coupler	A	B	ØD	F/F	ØI	ØL	M	N	O	Mounting Flange
50 MM	50	NA	168	-	53	43	93	120	99	125	85	F05
65 MM	50	NA	191	-	66	46	105	140	99	125	85	F05
80 MM	50	NA	214	-	80	46	126	152.5	99	125	85	F05
100 MM	63	NA	258	-	104	52	150	190.5	112	147	105	F07
125 MM	80	NA	287	-	125	56	175	216	128	170	114	F07
150 MM	80	NA	318	-	150	56	203	241	128	170	114	F07

Technical Data - Butterfly Valve with Single Acting Actuator (All dimensions are in mm)

All dimensions are approx.

Size	Actuator	Coupler	A	B	ØD	F/F	ØI	ØL	M	N	O	Mounting Flange
50 MM	50	NA	168	-	53	43	93	120	99	162	84.9	F05
65 MM	63	C1455V0	191	60	66	46	105	140	112	202	105	F05
80 MM	80	C1755V0	214	40	80	46	126	152.5	128	294	114	F05
100 MM	100	C4277V0	258	40	104	52	150	190.5	153	324	145	F07
125 MM	100	C7277V0	287	40	125	56	175	216	157	324	145	F07
150 MM	125	C7270V0	318	61	150	56	203	241	185	389	173	F10

Pneumatic Operated Lug Type Butterfly Valve - PN16



Technical Data - Butterfly Valve with Double Acting Actuator (All dimensions are in mm)

All dimensions are approx.

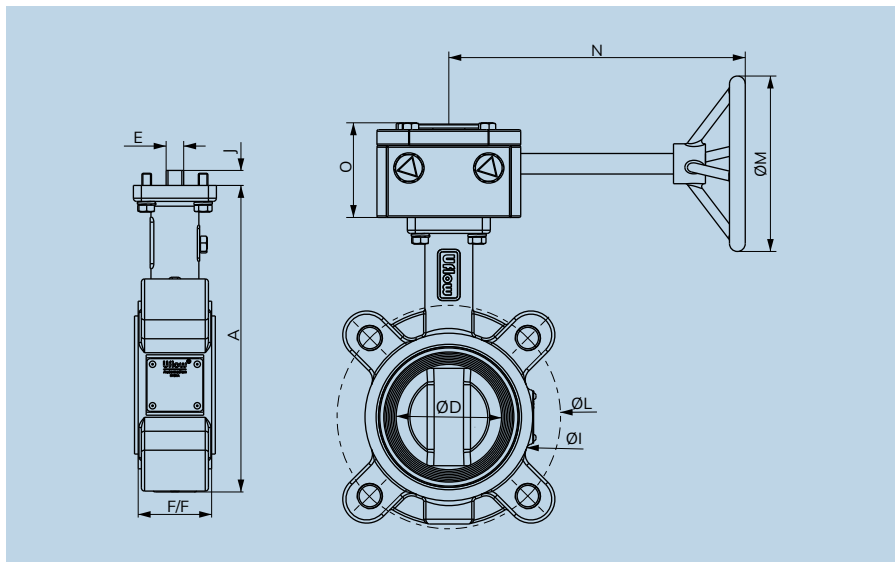
Size	Actuator	Coupler	A	B	ØD	F/F	ØI	ØL	M	N	O	Mounting Flange
50 MM	50	NA	168	-	53	43	93	120	99	125	85	F05
65 MM	50	NA	191	-	66	46	105	140	99	125	85	F05
80 MM	63	C1455V0	214	60	80	46	126	152.5	99	147	91	F05
100 MM	80	C4777V0	258	40	104	52	150	190.5	112	170	105	F07
125 MM	80	NA	287	-	125	56	175	216	128	170	114	F07
150 MM	100	C7277V0	318	40	150	56	203	241	128	220	114	F07

Technical Data - Butterfly Valve with Single Acting Actuator (All dimension are in mm)

All dimensions are approx.

Size	Actuator	Coupler	A	B	ØD	F/F	ØI	ØL	M	N	O	Mounting Flange
50 MM	80	C1755V0	168	40	53	43	91	120	128	234	114	F05
65 MM	80	C1755V0	191	40	66	46	97	140	128	234	114	F05
80 MM	100	C1257V0	214	40	80	46	117	152.5	153.5	324	145	F05
100 MM	100	C4277V0	258	40	104	52	149	190.5	153.5	324	145	F07
125 MM	125	C7277V0	287	40	125	56	169	216	185	389	173	F07

Gear Box Operated Lug Type Butterfly Valve



Technical Data (All dimensions are in mm)

All dimensions are approx.

Size	A	D	F/F	ØI	ØL	E	J	ØM	N	O	Mounting Flange
50 MM	168	53	43	93	120	11	13	175	203	48	F05
65 MM	191	66	46	105	140	11	12	175	203	48	F05
80 MM	214	80	46	126	152.5	11	14	175	203	48	F05
100 MM	258	104	52	150	190.5	14	17	175	203	48	F07
125 MM	287	125	56	175	216	17	20	175	203	48	F07
150 MM	318	150	56	203	241	17	19	175	203	48	F07

FULL LUG AND FLANGE END BUTTERFLY VALVE MODEL IDENTIFICATION CHART

R I E 8 1 C 1 W I - V0 V0

PRODUCT TYPE	
R	BUTTERFLY VALVE

SEAL MATERIAL	
E	EPDM
N	NBR
V	VITON
S	SILICONE
P	PTFE

PORT SIZE	
8	2"
9	2½"
A	3"
B	4"
C	5"
D	6"
E	8"
F	10"
G	12"

FLANGE SELECTION	
1	150#
2	PN10
3	PN16
4	10K
5	16K

STEM MATERIAL	
1	SS 410
4	SS 304
6	SS 316

PORT CONNECTION	
L	FULL LUG
F	FLANGE END

OPERATION	
I	ACTUATOR
M	MANUAL
B	BARE STEM
G	GEAR
L	ACTUATOR WITH LEVER
A	ACTUATOR WITH GEAR

CONFIGURATION	
BLANK	REGULAR
C1	CONFIG 1
C2	CONFIG 2
C3	CONFIG 3
⋮	⋮
C9	CONFIG 9
CA	CONFIG 10
CB	CONFIG 11

VERSION	
V0	VERSION 0
V1	VERSION 1
V2	VERSION 2
V3	VERSION 3
⋮	⋮
V9	VERSION 9
VA	VERSION 10
VB	VERSION 11

BODY MATERIAL	
I	CI
S	SGI
D	DUCTILE IRON
W	WCB
C	CF8
M	CF8M

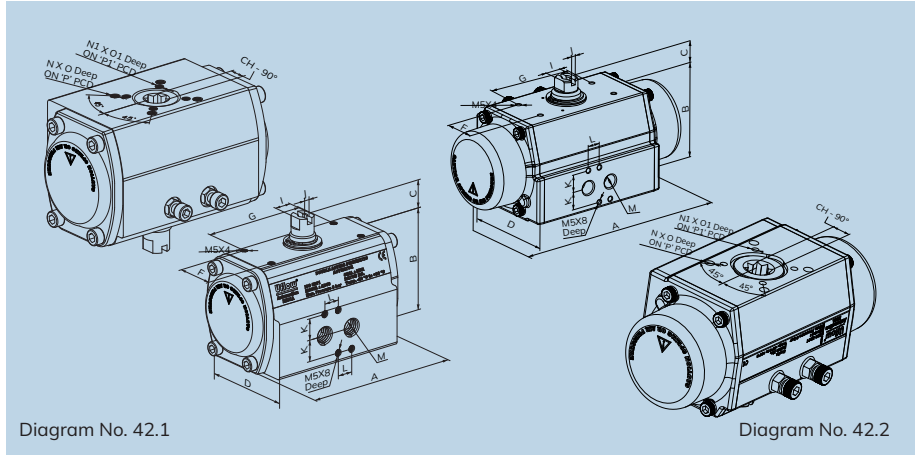
DISC MATERIAL	
C	CF8
M	CF8M
W	WCB
S	SGI

PRESSURE CLASS	
1	PN10
2	PN16

RIE81C1WIV0
2" BUTTERFLY VALVE-CI-EPDM-PN10-CF8-SS 410-WAFER END-ACTUATORE



PNEUMATIC ACTUATOR
SERIES



Features

Uflow has successfully developed Compact, Patented Aluminium Free Rack & Pinion Pneumatic Rotary Actuator and Consuming Low Volume of Air.

- ☑ Wear proof aluminium free Rack & Pinion design.
- ☑ Low air consumption with maximum torque due to compact design.
- ☑ Providing a hard-anodized body for high corrosion resistance.
- ☑ Smooth travelling stroke for extending the life of ball valve seat.
- ☑ Finer teeth module for smoother operation, and jerk-free sliding.
- ☑ Maintenance free design.
- ☑ Aluminium Extruded, Hard Anodized Body.

Section View



Double Acting



Single Acting

Temperature Range		End Stroke (0° - 90°)
NBR	-20°C to +80°C	+5° Over travelling possible for opening
Viton	-20°C to +125°C	-5° Under travelling can be adjusted
Flourosilicone	-60°C to +110°C	

Working Pressure
Maximum working pressure 8 bar

Torque Chart (Double Acting)

Model No.	Diagram No.	TORQUE Nm (10Nm = 1 Kg/m)								Piston Outward Stroke, ml/bar
		2 Bar	3 Bar	4 Bar	5 Bar	6 Bar	7 Bar	8 Bar		
AD32ANBV1	42.1	3	4.6	6	7.6	9	10.50	12	40	
AD50ANBV1	42.1	10.8	16	21.5	27	32.5	38	43	137	
AD63ANBV1	42.1	20	30	40	50	60	70	80	450	
AD80ANBV1	42.1	34.5	51.5	69	86.5	103	120.5	138	280	
AD100ANBV1	42.1	73	110	146	183	220	256	293	1040	
AD125ANBV1	42.1	127	190	254	317.5	381	444.5	508	1810	
AD150ANBV1	42.1	210	316	421	526	631	737	842	3150	

Air Consumption Comparison With Other Reputed Brand

Model	Piston Inward Stroke ml / bar	Piston Outward Stroke ml / bar
(Uflow)AD50	128	137
Other Brand Y	260	110
Other Brand X	200	180

Technical Data (All dimensions in mm)

All Dimensions are approx.

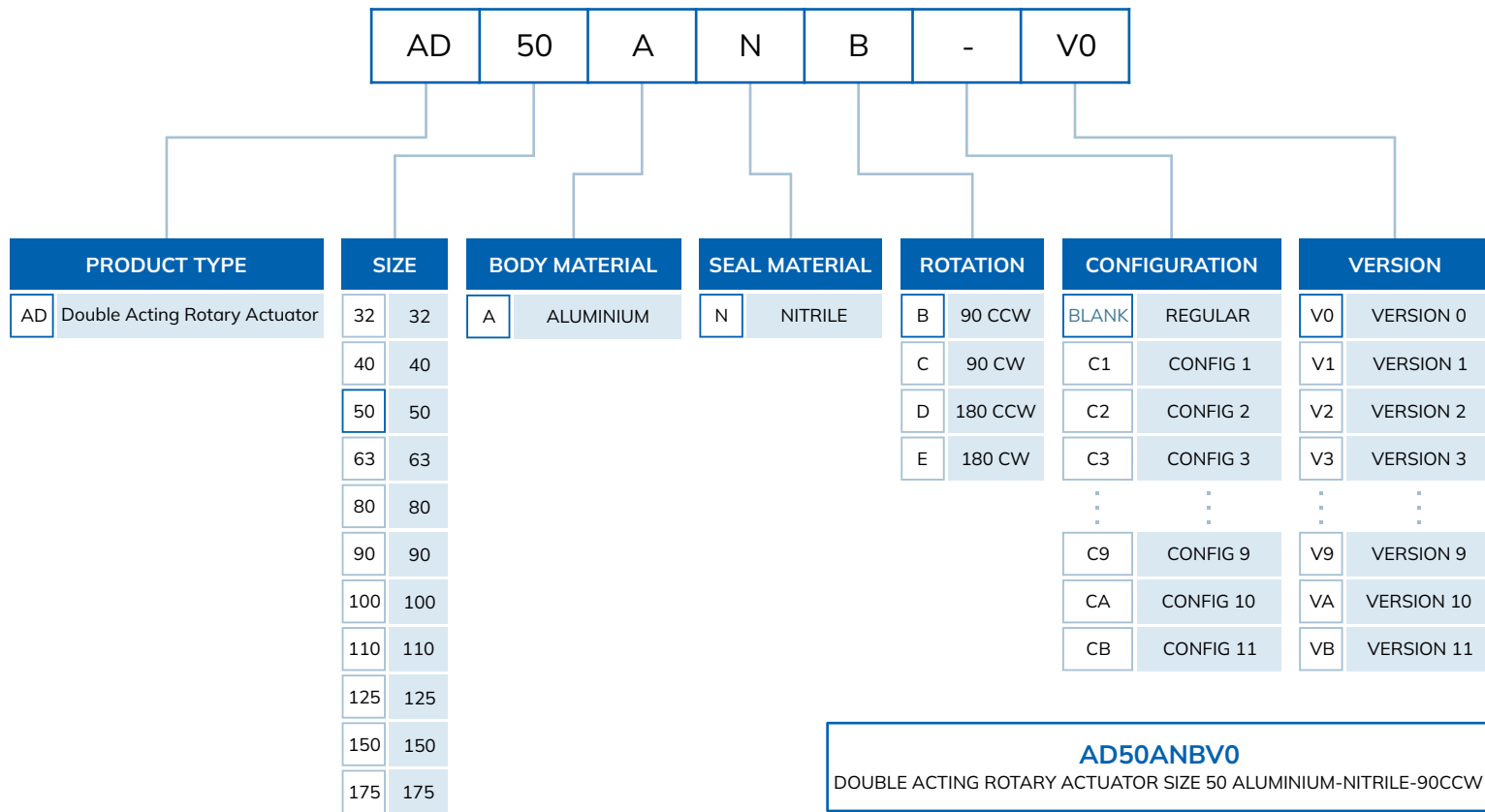
Model No. Double / Single	Diagram No.	A Double / Single	B	C	D	F	G	I	J	K	L	M	N	O	P	N1	O1	P1	CH 90°	ISO FLANGE
AD32ANBV1 / AS32ANB21V1	42.1 / 42.2	92 / 115	48	20	54	30	50	10	4	16	12	1/8"	M5	09	36	-	-	-	09	F03
AD50ANBV1 / AS50ANB02V1	42.1 / 42.2	125 / 162	77	20	72	30	80	13	4	16	12	1/4"	M6	12	50	M5	10	36	11	F03/F05
AD63ANBV1 / AS63ANB02V1	42.1 / 42.2	147 / 203	87	20	86	30	80	15	4	16	12	1/4"	M8	12	70	M6	10	50	14	F05/F07
AD80ANBV1 / AS80ANB201V1	42.1 / 42.2	170 / 233	103	20	98	30	80	18	4	16	12	1/4"	M8	12	70	M6	10	50	17	F05/F07
AD100ANBV1 / AS100ANB6UV1	42.1 / 42.2	221 / 324	129	20	126	30	80	26	4	16	12	1/4"	M10	15	102	M8	14	70	22	F07/F10
AD125ANBV1 / AS125ANB6UV1	42.1 / 42.2	389 / 389	161	20	150	30	80	30	4	16	12	1/4"	M12	20	125	M10	14	102	22	F10/F12
AD150ANBV1 / AS150ANB6UV1	42.1 / 42.2	465 / 465	193	20	175	30	80	35	4	16	12	1/4"	M12	20	125	M10	14	102	27	F10/F12

Torque Chart (Single Acting)

TORQUE Nm (10Nm = 1 Kgm)

Size	Model No.	Spring Set	Spring Torque		3 Bar		4 Bar		5 Bar		6 Bar		Piston Outward Stroke, ml/bar
			0° (Min)	90° (Max)	90° (Min)	0° (Max)	90° (Min)	0° (Max)	90° (Min)	0° (Max)	90° (Min)	0° (Max)	
32	AS32ANB21V1	21	2	3	2	3	3	4	5	6	6	7	40
	AS32ANB12V1	12	3	5	-	-	1	3	3	5	4	6	
	AS32ANB22V1	22	4	6	-	-	1	2	2	4	3	5	
50	AS50ANB02V1	02	6	13	3	10	9	16	14	21	20	27	137
	AS50ANB21V1	21	8	14	2	8	8	14	13	19	19	25	
	AS50ANB12V1	12	9	16	-	-	6	13	11	18	17	24	
	AS50ANB22V1	22	12	18	-	-	4	10	9	15	15	21	
63	AS63ANB02V1	02	11	22	8	19	18	29	28	39	38	49	280
	AS63ANB21V1	21	15	24	6	15	16	25	26	35	36	45	
	AS63ANB12V1	12	16	29	1	14	11	24	21	34	31	44	
	AS63ANB22V1	22	21	35	-	-	5	19	15	29	25	39	
80	AS80ANB201V1	201	13	23	29	39	46	56	63	73	80	90	450
	AS80ANB211V1	211	19	34	18	33	35	50	52	67	69	84	
	AS80ANB121V1	121	23	40	12	29	29	46	46	63	63	80	
	AS80ANB112V1	112	23	43	9	29	26	46	43	63	60	80	
	AS80ANB212V1	212	26	47	5	26	22	43	39	60	56	77	
	AS80ANB222V1	222	36	61	-	-	8	33	25	50	42	67	
100	AS100ANB6UV1	6U	40	59	51	70	87	106	124	143	161	180	1040
	AS100ANB7U2V1	7U2	51	77	33	59	69	95	106	132	143	169	
	AS100ANB09V1	9	53	81	29	57	65	93	102	130	139	167	
	AS100ANB10UV1	10U	61	96	14	49	50	85	87	122	124	159	
	AS100ANB12V1	12	71	109	-	-	37	75	74	112	111	149	
	AS100ANB14V1	14	83	127	-	-	19	63	56	100	93	137	
125	AS125ANB6UV1	6U	62	99	91	128	155	192	219	256	282	319	1810
	AS125ANB8UV1	8U	81	129	61	109	125	173	188	236	252	300	
	AS125ANB09V1	9	86	137	53	104	117	168	181	231	244	295	
	AS125ANB11V1	11	105	167	23	85	87	149	151	212	214	276	
	AS125ANB12UV1	12U	119	190	-	-	64	135	128	198	191	262	
	AS125ANB13UV1	13U	129	205	-	-	49	125	113	189	176	252	
150	AS150ANB6UV1	6U	105	170	146	211	251	316	356	421	461	526	3150
	AS150ANB8UV1	8U	137	222	94	179	199	284	304	389	409	494	
	AS150ANB09V1	9	144	234	82	172	187	277	294	382	391	487	
	AS150ANB11V1	11	176	285	30	140	135	245	240	350	345	455	
	AS150ANB12UV1	12U	201	326	-	115	95	220	200	325	305	430	
	AS150ANB13UV1	13U	217	352	-	99	69	204	174	309	279	414	

DOUBLE ACTING ROTARY ACTUATOR MODEL IDENTIFICATION CHART



SINGLE ACTING ROTARY ACTUATOR MODEL IDENTIFICATION CHART

AS 50 A E B 222 - V0

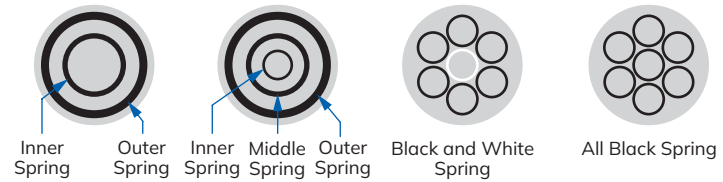
PRODUCT TYPE	SIZE		BODY MATERIAL		ROTATION	SPRING SET 32 TO 63			SPRING SET - 80 & 90				SPRING SET 100 TO 150			CONFIGURATION		VERSION	
AS Single Acting Rotary Actuator	32	32	A	Aluminium	B 90 CCW	CODE	INNER	OUTER	CODE	INNER	MIDDLE	OUTER	CODE	BLACK SPRING	WHITE SPRING	BLANK	REGULAR	V0	VERSION 0
	40	40			C 90 CW	02	0	2	201	2	0	1	12	12	0	C1	CONFIG 1	V1	VERSION 1
	50	50			D 180 CCW	21	2	1	211	2	1	1	6U	6	1	C2	CONFIG 2	V2	VERSION 2
	63	63			E 180 CW	12	1	2	121	1	2	1	8U	8	1	C3	CONFIG 3	V3	VERSION 3
	80	80				22	2	2	112	1	1	2	12U	12	1	⋮	⋮	⋮	⋮
	90	90				⋮	⋮	⋮	212	2	1	2	13U	13	1	C9	CONFIG 9	V9	VERSION 9
	100	100				⋮	⋮	⋮	⋮	⋮	⋮	⋮	11	11	0	CA	CONFIG 10	VA	VERSION 10
	110	110											09	9	0	CB	CONFIG 11	VB	VERSION 11
	125	125											14	14	0				
	150	150											7U2	7	2				
													⋮	⋮	⋮				

SEAL MATERIAL	
N	NITRILE
E	EPDM
V	VITON

(CW) : Clockwise, fail safe open
 (CCW) : Counter clockwise, fail safe close

AS50AEB222V0

SINGLE ACTING ROTARY ACTUATOR SIZE 50 WITH SPRING SET 222 ALUMINIUM-EPDM-90CCW





LIMIT SWITCH
SERIES



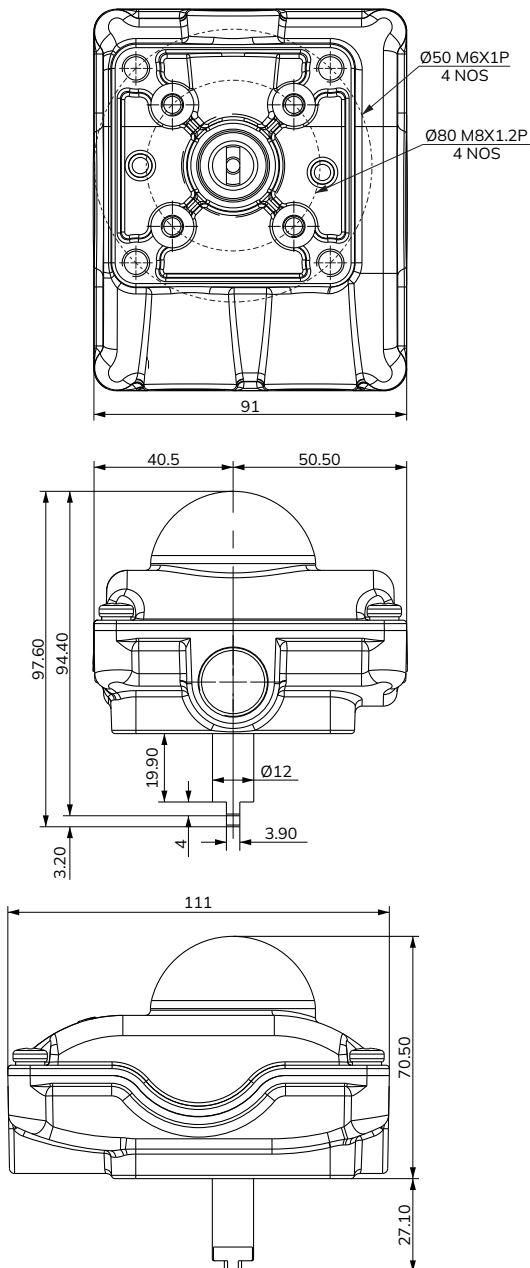
Specification

Model No.	Body Material	Switch	No. Of Elements	Cable Gland
GWP11AMV0	ALU+Plastic	5A	1 NO & 1 NC	M20 X 1.5
GWP12AMV0	ALU+Plastic	5A	2 NO & 2 NC	M20 X 1.5

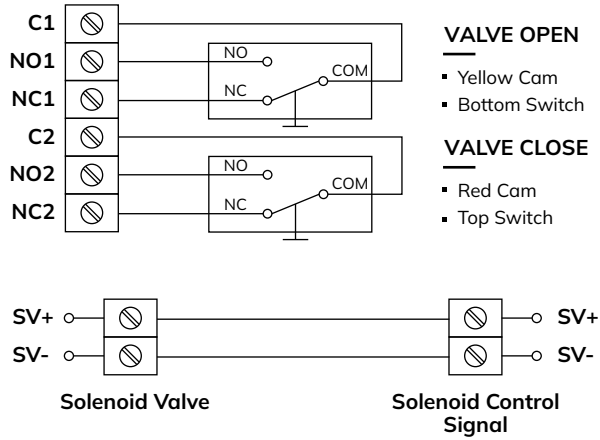
Features

- Compact & Lightweight design
- Weatherproof limit switch.
- Open / Close indicator visible from all directions.
- Temperature range -20°C to +80°C
- No extra attachment required for the indicator dome as it is inbuilt with a transparent cover.
- Cable entries with multiple connectivity option (M20 & 1/2" NPT).
- A stainless steel bracket is available as an option.
- Every adjustable serrated cam for fast & Fine switch adjustment & Also helpful for fine adjusting of feedback setting.

Dimension Drawing (All dimensions in mm)



Wiring Diagram



Indicator

The two piece unique indicator, ensures a life long visibility.



Standard Indicator Color Red & Yellow

All dimensions are approx.

LIMIT SWITCH MODEL IDENTIFICATION CHART

G W P 1 2 A M - V0

PRODUCT TYPE		PROTECTION TYPE		BODY MATERIAL		SWITCH		NO OF ELEMENTS		CABLE GLAND		BRACKET MATERIAL		CONFIGURATION		VERSION	
G	Limit Switch	W	Weather Proof	A	Aluminium	1	5A HONEYWELL	1	1 NO & 1 NC	A	M20 X 1.5	M	MS Powder Coated	BLANK	REGULAR	V0	VERSION 0
		F	Flame Proof	P	ALU + Plastic	2	15A HONEYWELL	2	2 NO & 2 NC	B	½" NPT	4	SS304	C1	CONFIG 1	V1	VERSION 1
														C2	CONFIG 2	V2	VERSION 2
														C3	CONFIG 3	V3	VERSION 3
														⋮	⋮	⋮	⋮
														C9	CONFIG 9	V9	VERSION 9
														CA	CONFIG 10	VA	VERSION 10
														CB	CONFIG 11	VB	VERSION 11

GWP12AMV0
SEAL KIT 1/2" ANGLE SEAT VALVE CF8-PTFE-0 TO 7 Bar-50 NAMUR



**ROTO SEAL COUPLING
SERIES**

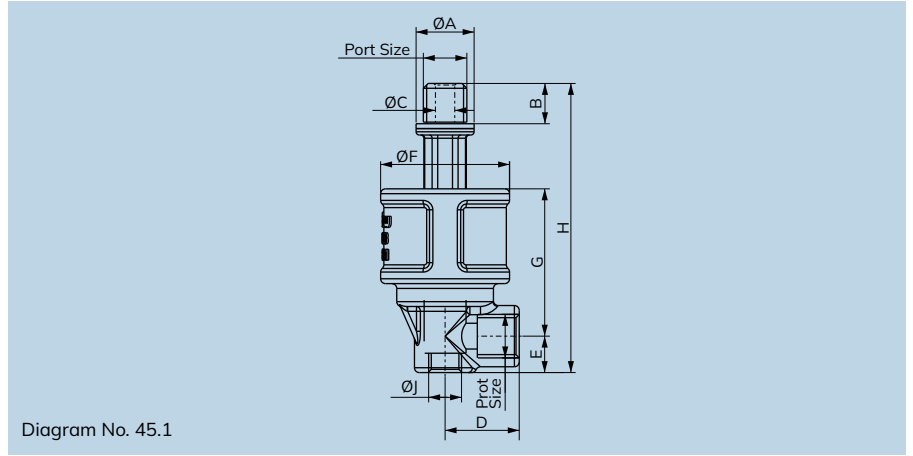


Diagram No. 45.1

Specifications

Port :	Refer below technical data sheet (Available BSP / NPT)	
Media :	Air, Water, Oil & Gas	
Pressure :	Upto 10 bar	
Temperature :	Nitrile (NBR)	Viton (FKM)
	-30°C to 90°C	-10°C to 180°C
RPM :	1000 RPM	

Section View



Features

- High-Performance Bearings & Seals.
- Dual Connection Available.

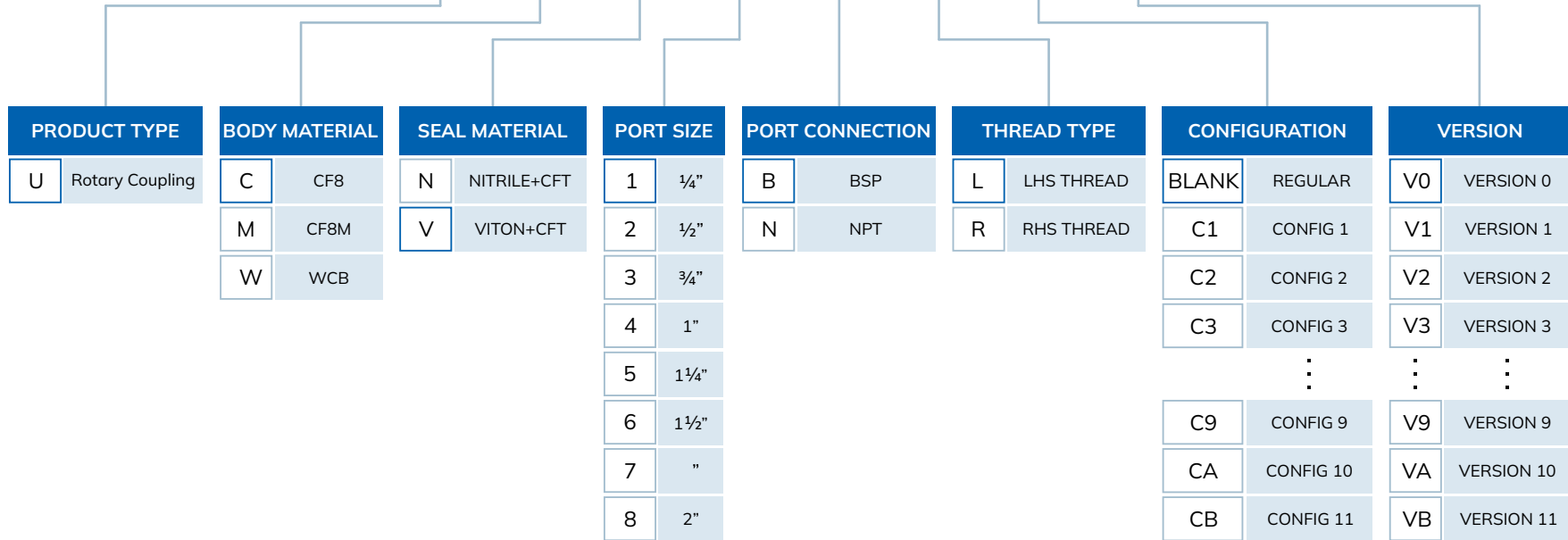
Technical Data (All dimensions in mm)

All Dimensions are approx.

Model No.	Diagram No.	Body Material	Port Size	Seal Material	A	B	C	D	E	F	G	H	J
UCV1BLV0 / UCV1BRV0	45.1	CF8 / CF8M	¼"	NBR / VITON	18	14	6	23	12	40	45	90	⅛"
UCV7BLV0 / UCV7BRV0	45.1	CF8 / CF8M	⅜"	NBR / VITON	22	14	10	23	13	48	53	99	¼"
UCV2BLV0 / UCV2BRV0	45.1	CF8 / CF8M	½"	NBR / VITON	26	16	12	28	17	56	61	106	⅜"
UCV3BLV0 / UCV3BRV0	45.1	CF8 / CF8M	¾"	NBR / VITON	32	19	19	40	21	72	72	145	½"
UCV4BLV0 / UCV4BRV0	45.1	CF8 / CF8M	1"	NBR / VITON	39	25	24	44	28	83	84	171	¾"
UCV5BLV0 / UCV5BRV0	45.1	CF8 / CF8M	1¼"	NBR / VITON	48	27	32	49	32	95	98	193	1"
UCV6BLV0 / UCV6BRV0	45.1	CF8 / CF8M	1½"	NBR / VITON	54	27	36	48	32	95	98	193	1¼"
UCV8BLV0 / UCV8BRV0	45.1	CF8 / CF8M	2"	NBR / VITON	68	32	47	62	40	123	124	269	1½"

ROTO SEAL MODEL IDENTIFICATION CHART

U C V 1 B L - V0



UCV1BLVO
1/4" ROTARY COUPLING CF8-VITON+CFT-BSP-LHS THREAD



ONE TOUCH FITTINGS
SERIES

Specifications

Fluid :	Air
Max. operating pressure :	10 Bar
Ambient temperature :	-10°C to +60°C
Threaded connection :	Male : R - Taper thread, Female : G - Parallel thread
Media temperature :	+5°C to 50°C
Applicable tube material :	Nylon, Polyurethane
Applicable tube size (OD) :	Ø4, Ø6, Ø8, Ø10, Ø12, Ø14, Ø16
Recommended tolerance for tube OD :	±0.1 mm
Recommended minimum wall thickness of tubes :	

Nylon		PU	
Tube OD (mm)	Thickness (mm)	Tube OD (mm)	Thickness (mm)
Ø4	1	Ø4	1
Ø6		Ø6	1
Ø8		Ø8	1.5
Ø10		Ø10	1.5
Ø12		Ø12	2
Ø14		Ø14	2
Ø16		Ø16	2.5

Features

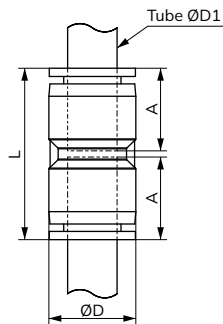
- ☑ Compact & Captivating Design
- ☑ All Threaded nipples has plastic portion that is capable of rotating 360°
- ☑ Full bore piping enables smooth flow of fluids.
- ☑ New Design SS collet
- ☑ Air tight sealing of tubes
- ☑ Compatible with both Nylon & PU pipes
- ☑ Male Taper threads with PTFE coating
- ☑ Durable & Maintenance free
- ☑ Robust collet design lets the fitment & function remains unaffected even due to vibration.
- ☑ Simple & fast connection of tube just by plugging-in manually and similarly smooth way of pulling-out just by the press of plastic collet cap.

Features

One-touch fitting can be effectively used in all compressed air applications Some of the pneumatic application include

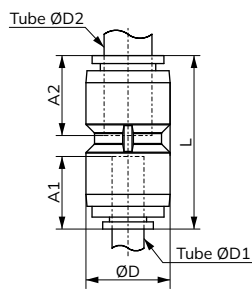
- ☑ Pneumatic cylinders (all types)
- ☑ All compressed air lines, machinery of all kinds wherever pneumatic systems are used
- ☑ Directional control valves(DCV), solenoid valves(SOV) and other valves
- ☑ Pneumatic control & circuit panels
- ☑ Air preparation units like filter, regulator and lubricators(FRL)

Straight Union



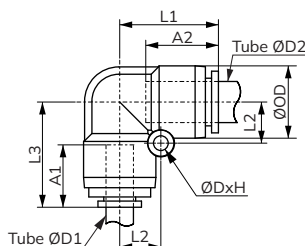
Model No.	Tube OD - ØD1	ØD	L	A
VO210404	4	10.6	31.1	12.4
VO210606	6	12.8	32.5	15
VO210808	8	15	34.6	16
VO211010	10	18.5	38.8	18.4
VO211212	12	21.1	41.6	20
VO211414	14	23.1	41.6	20
VO211616	16	25.6	45.6	22.2

Different Dia. Straight Union



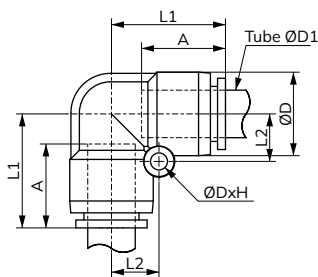
Model No.	Tube OD		ØD	L	A1	A2
	ØD1	ØD2				
VO220406	4	6	12.6	35.3	15.9	15
VO220608	6	8	15	36.6	16.3	16
VO220610	6	10	18.5	40.6	17.2	18.4
VO220810	8	10	18.5	41.1	17.7	18.4
VO220812	8	12	21	43.5	18.2	20
VO221012	10	12	31.1	44	20.2	20
VO221216	12	16	25.6	48.3	21.8	22

Union Elbow Reducer



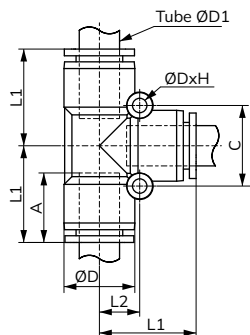
Model No.	Tube OD		ØD	L1	L2	L3	A1	A2	ØDxH
	ØD1	ØD2							
VO240812	8	12	21.1	30.7	12	28.8	18.2	21.2	Ø4.3X21.5

Union Elbow



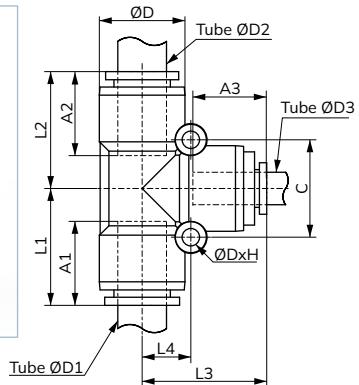
Model No.	Tube OD ØD1	ØD	L1	L2	A	ØDxH
VO230404	4	10.6	17.7	6.5	14.9	Ø3.3X11
VO230606	6	12.8	20	7.5	15	Ø3.3X13
VO230808	8	15	25	9	17.2	Ø3.3X15.5
VO231010	10	18.5	26.4	11	19.2	Ø4.3X19
VO231212	12	21.1	28.8	12	21.2	Ø4.3X21.5
VO231414	14	23.1	29.8	13	20.7	Ø4.3X23.5
VO231616	16	25.6	31.3	14.5	22.2	Ø4.3X26

Union Tee



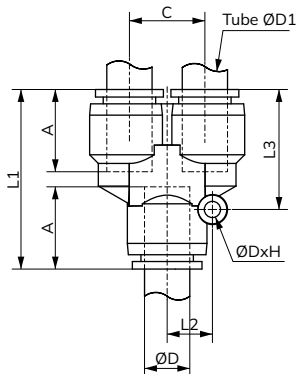
Model No.	Tube OD ØD1	ØD	L1	L2	C	A	ØDxH
VO250404	4	10.6	17.7	6.5	13	14.9	Ø3.3X11
VO250606	6	12.8	20	7.5	15	16	Ø3.3X13
VO250808	8	15	24	9	18	17.2	Ø3.3X15.5
VO251010	10	18.5	26.4	11	22	19.2	Ø4.3X19
VO251212	12	21.1	28.8	12	24	20.7	Ø4.3X20.5
VO251414	14	23.1	29.8	13	26	20.7	Ø4.3X23.5
VO251616	16	25.6	31.3	14.5	29	22.2	Ø4.3X26

Union Tee Reducer



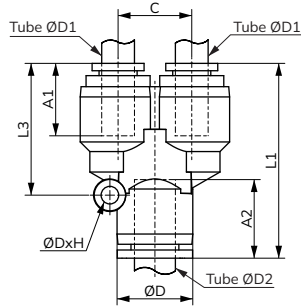
Model No.	Tube OD			ØD	L1	L2	L3	L4	C	A1	A2	A3	ØDxH
	ØD1	ØD2	ØD3										
VO26040406	4	4	6	12.6	22.8	22.8	20	7.5	15	12.4	12.4	16	Ø3.3X13
VO26060604	6	6	4	12.6	20	20	22.8	7.5	15	16	16	12.4	Ø3.3X13
VO26060608	6	6	8	15	26	26	24	9	18	16.3	16.3	17.2	Ø3.3X15.5
VO26061212	6	12	12	21.1	30.2	28.8	28.8	12	24	17.3	20.7	20.7	Ø4.3X20.5
VO26080806	8	8	6	15	24	24	26	9	18	17.2	17.2	16.3	Ø3.3X15.5
VO26080810	8	8	10	18.5	28.7	28.7	26.4	11	22	17.7	17.7	19.2	Ø4.3X19
VO26081212	8	12	12	21.1	30.7	28.8	28.8	12	24	18.2	20.7	20.7	Ø4.3X24
VO26101006	10	10	6	18.5	26.4	26.4	28.2	11	22	19.2	19.2	17.2	Ø4.3X19
VO26101008	10	10	8	18.5	26.4	26.4	28.7	11	22	19.2	19.2	17.7	Ø4.3X19
VO26101012	10	10	12	21.1	31.2	31.2	28.8	12	24	20.2	20.2	20.7	Ø4.3X20.5
VO26121206	12	12	6	21.1	28.8	28.8	30.2	12	24	20.7	20.7	17.3	Ø4.3X20.5
VO26121208	12	12	8	21.1	28.8	28.8	30.7	12	24	20.7	20.7	18.2	Ø4.3X20.5
VO26121210	12	12	10	21.1	28.8	28.8	30.2	12	24	20.7	20.7	20.2	Ø4.3X20.5

Union 'Y'



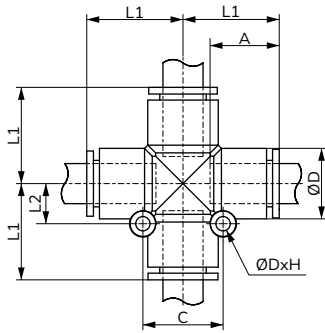
Model No.	Tube OD ØD1	ØD	L1	L2	L3	C	A	ØDxH
VO270404	4	10.6	31.4	6.5	21.3	10	14.9	Ø3.3X11
VO270606	6	12.8	34	7.5	22.5	12	16	Ø3.3X13
VO270808	8	15	39	9	26.5	14.5	17.2	Ø3.3X15.5
VO271010	10	18.5	45.3	11	29.9	18	19.2	Ø4.3X19
VO271212	12	21.1	47.6	12	31.8	20	21.8	Ø4.3X21.5

Union 'Y' Reducer



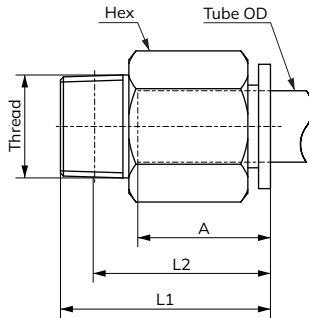
Model No.	Tube OD		ØD	L1	L2	L3	C	A1	A2	ØDXH
	ØD1	ØD2								
VO28040406	4	6	12.6	36.8	7.5	25.3	12	15.9	16	Ø3.3X13
VO28060608	6	8	15	41.1	9	28.6	14.5	16.3	17.2	Ø3.3X15.5
VO28080810	8	10	18.5	47.6	11	32.2	18	19.2	17.7	Ø4.3X19

Cross Union



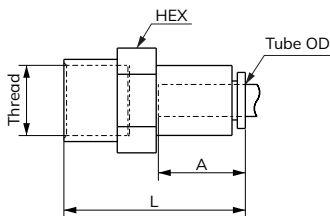
Model No.	Tube OD	ØD	L1	L2	C	A	ØDXH
VO490404	4	10.6	17.7	6.5	13	14.9	Ø3.3X11
VO490606	6	12.6	20	7.5	15	16	Ø3.3X13
VO490808	8	15	25	9	18	17.2	Ø3.3X15.5
VO491010	10	18.5	26.4	11	22	19.2	Ø4.3X19
VO491212	12	21.1	28.8	12	24	20.7	Ø4.3X21.5

Male Connector



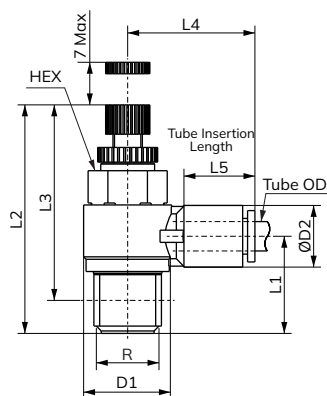
Model No.	Tube OD	Thread	Hex	L1	L2	A
VO3004A	4	M5 x 0.8	10	21.2	17.2	14.4
VO3004C		R1/4	14	18.2	12.7	14.4
VO3004B		R1/8	10	21.7	18	14.4
VO3006A	6	M5 x 0.8	12	21.5	17.5	15.3
VO3006C		R1/4	14	25	19.75	16.3
VO3006B		R1/8	12	22.5	19	16.3
VO3006D		R3/8	17	20	14.74	16.3
VO3008E	8	R1/2	22	25	18	17
VO3008C		R1/4	14	27	21.75	17
VO3008B		R1/8	14	25	21	16.7
VO3008D		R3/8	17	23	16.5	16.7
VO3010E	10	R1/2	22	25.4	17.9	18.7
VO3010C		R1/4	17	29.9	23.9	19.7
VO3010D		R3/8	17	29.9	23.9	19.7
VO3012E	12	R1/2	22	32.8	25.3	22.3
VO3212C		R1/4	22	36.8	30.8	22.3
VO3212D		R3/8	22	35.3	29.55	22.3
VO3212J		1/2	22	32.8	25.3	22.3
VO3012G		1/4	22	36.8	30.8	22.3
VO3012I		3/8	22	35.3	29.46	22.3
VO3014J	14	1/2	24	33.8	26.3	22.2
VO3014H		3/4	27	33.8	26.3	22.2
VO3016J	16	1/2	24	38.3	30.3	23.7
VO3016H		3/4	27	32.3	23.8	21.7
VO3016K		1	36	38.3	28.8	23.7

Female Connector



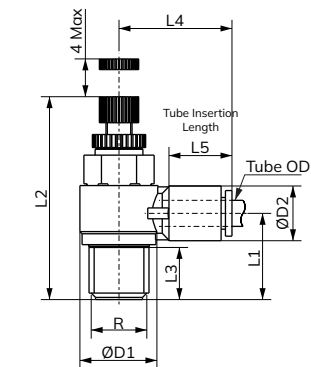
Model No.	Tube OD	Thread (BSP)	Hex	L	A
VO3204F	4	1/8	14	27	14.5
VO3204G		1/4	17	31	14.5
VO3206F	6	1/8	14	27	15.5
VO3206G		1/4	17	31.5	15.5
VO3208F	8	1/8	14	27	16
VO3208G		1/4	17	31.5	16
VO3208I		3/8	22	33.5	16
VO3210G	10	1/4	17	33	18
VO3210I		3/8	22	35	18
VO3212I	12	3/8	22	35	18.5
VO3212J		1/2	27	39.5	18.5
VO3214J	14	1/2	27	39	19

Flow Control - R Series



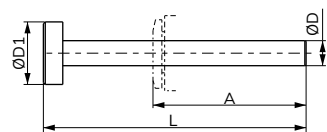
Model No.	Thread R	Tube OD	Hex	L1	L2	L3	L4	L5	ØD1	ØD2	Free Flow Min. Lts/min	Free Flow Min. Lts/min
VF5204B	R1/8	4		15.5	39	35.5	22	14.5	13.5	10.5	100	100
VF5206B		6	12	16	39	35.5	23	15.5	13.5	12.5	200	140
VF5208B		8		18	39	35.5	27	17	13.5	15	200	140
VF5206C	R1/4	6		20.5	47	41.5	25	15.5	18	12.5	400	350
VF5208C		8	14	21	47	41.5	27.5	17	18	15	550	420
VF5210C		10		23	47	41.5	32.5	20	18	18.5	650	450
VF5208D	R3/8	8		25	53	47	29.5	17	22	15	1100	930
VF5210D		10	19	26	53	47	34.5	20	22	18.5	1300	1000
VF5212D		12		27	53	47	36	20.5	22	21	1400	1050
VF5208E	R1/2	8		27.5	57	49.5	32.5	17	28	15	1400	1250
VF5210E		10	24	28.5	57	49.5	36.5	20	28	18.5	1750	1500
VF5212E		12		29.5	57	49.5	37.5	20.5	28	21	1900	1600

Flow Control - M Series



Model No.	Thread R	Tube OD	L1	L2	L3	L4	L5	ØD1	ØD2	Free Flow Min. Lts/min	Free Flow Min. Lts/min
VF5204A	M5	4	12.5	31	3.5	20	14.5	9.5	10.5	60	45
VF5206A		6	12.5	31	3.5	21	15.5	9.5	12.5	100	50

Plug



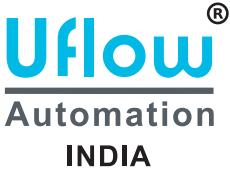
Model No.	Applicable Fitting size ØD	ØD1	L	A
VO5004	4	10	42	14.5
VO5006	6	12	44	15.5
VO5004	8	14	46	17
VO5006	10	16	48	20
VO5006	12	18	52	20.5

ONE TOUCH FITTINGS IDENTIFICATION CHART

VO 21 16 - - -

PRODUCT TYPE		PRODUCT SUB TYPE		PRODUCT SUB TYPE		APPLICABLE TUBING OD		APPLICABLE TUBING OD		APPLICABLE TUBING OD		APPLICABLE TUBING OD	
VO	One Touch Fitting	21	Straight Union	41	Male Connector (Internal Hexagon Socket)	16	With Applicable Tubing OD Ø16MM	Blank	-	Blank	-	Blank	-
VS	Self Sealing Fitting	22	Different Dia. Straight Union	42	Single Swivel (Internal Hexagon Socket)	14	With Applicable Tubing OD Ø14MM	16	TO Ø16MM	16	TO Ø16MM	A	M5X0.8
VF	Flow Control	23	Union Elbow	43	Single Swivel (Slotted Head)	12	With Applicable Tubing OD Ø12MM	14	TO Ø14MM	14	TO Ø14MM	B	R 1/8
		24	Union Elbow Reducer	44	Single Swivel (Hexagon Head)	10	With Applicable Tubing OD Ø10MM	12	TO Ø12MM	12	TO Ø12MM	C	R 1/4
		25	Union Tee	45	Double Swivel	08	With Applicable Tubing OD Ø08MM	10	TO Ø10MM	10	TO Ø10MM	D	R 3/8
		26	Union Tee Reducer	46	Triple Swivel	06	With Applicable Tubing OD Ø06MM	08	TO Ø08MM	08	TO Ø08MM	E	R 1/2
		27	Union 'Y'	47	Multi Distributor Union	04	With Applicable Tubing OD Ø04MM	06	TO Ø06MM	06	TO Ø06MM	F	1/8
		28	Union 'Y' Reducer	48	Multi Distributor Male			04	TO Ø04MM	04	TO Ø04MM	G	1/4
		29	Bulk Head Union	49	Cross Union							H	3/4
		30	Male Connector	50	Plug							I	3/8
		31	Bulk Head Female Connector	51	Flow Control Inline Type							J	1/2
		32	Female Connector	52	Flow Control Regular							K	1
		33	Male Elbow										
		34	Extended Male Elbow										
		35	Female Elbow										
		36	Male Branch Tee										
		37	Female Branch Tee										
		38	Male Run Tee										
		39	Female Run Tee										
		40	Male Branch 'Y'										

VO211616
 STRAIGHT UNION TYPE CONNECTOR WITH APPLICABLE TUBING OD Ø16MM TO Ø16MM





POLYURETHANE TUBES
SERIES



Advantages

Provide differentiation of air line in pneumatic circuits

Usage Instructions

- Cut the tube - end burr free and square, using Tube cutter (WC1) and clean the edge to ensure leak tight joints. (Do not use blunt tools / hacksaw / chisel etc.,)
- Ensure the tube is fully inserted into the fitting - until the positive stop, beyond the 'U' seal.
- For ensuring proper insertion, pull the tube gently by hand. Polyurethane tube will yield and come out if pulled heavily.
- Minimum bend radius of the tubing to avoid leakage

Recommended Pressure vs Working Temperature

Maximum Pressure :	10 bar	9 bar	8 bar	7 bar
Ambient temperature :	5°C to 30°C	30°C to 40°C	40°C to 50°C	50°C to 60°C

Specification

Tube OD	Minimum bend radius (in mm)
Ø4	10
Ø6	15
Ø8	25
Ø10	30
Ø12	35
Ø14	130
Ø16	140

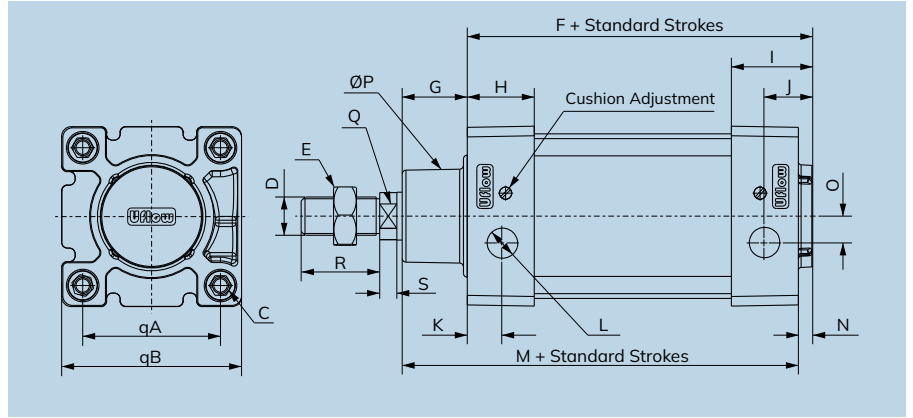
Tube Size And Colour

Tube OD	Tube ID	Blue	Black	Red	Yellow	Silver	Transparent
4	2	PT04B00	PT04K00	PT04R00	PT04Y00	PT04S00	PT04T00
6	4	PT06B00	PT06K00	PT06R00	PT06Y00	PT06S00	PT06T00
8	5	PT08B00	PT08K00	PT08R00	PT08Y00	PT08S00	PT08T00
10	7	PT10B00	PT10K00	PT10R00	PT10Y00	PT10S00	PT10T00
12	8	PT12B00	PT12K00	PT12R00	PT12Y00	PT12S00	PT12T00
14	10	PT14B00	PT14K00	PT14R00	PT14Y00	PT14S00	PT14T00
16	12	PT16B00	PT16K00	PT16R00	PT16Y00	PT16S00	PT16T00

Ordering Example : 10 Pu Tube Red Color : PT10R00



PNEUMATIC AIR CYLINDER
SERIES



Specifications

Cylinder bore Ø (mm) :	32	40	50	63	80	100
Cushion stroke (mm) :	21	23	23	23	28	28
Standard strokes (mm):	25, 50, 80, 100, 125, 160, 200, 250, 300, 320, 400, 500					
Media :	Compressed air - filtered - lubricated					
Working pressure :	0.5 - 10 bar					
Medium temperature :	Regular 5°C - 60°C		High temperature applications 5°C - 150°C Max			
Materials of construction :	Aluminium, Nitrile, Steel, Acetal, Polyurethane					

Features

- Adjustable cushioning at both ends with elastomer pads.
- Wide varieties of mountings.
- Optional - High temperature (Viton seals) 150°C max.
- Optional - Non corrosive stainless steel piston rod and piston rod lock nut (SS304)

Technical Data

Cylinder bore Ø (mm)	A	B	C	D	E	F + TOL	G	H	I	J	K	L	M + TOL	N	O	P	Q	R	S	Stroke tol
32	32.5	48	M6	M10X1.25	19	106	18	27	35	20	13	G $\frac{3}{8}$	117	8	6	27	10	24	7	+2.2
40	38	52	M6	M12X1.25	19	110	21	29	37	20	14.5	G $\frac{1}{4}$	124	8	6	32	13	24	7	+0
50	46.5	64	M8	M16X1.5	24	113	21	29	37	19	15	G $\frac{1}{4}$	127	8	8	37	17	32	8	+2.7
63	56.5	74	M8	M16X1.5	24	121	21	35	43	25	17	G $\frac{3}{8}$	135	8	10	43	17	32	8	+0
80	72	94	M10	M20X1.5	30	130	34	35	43	26	18	G $\frac{3}{8}$	157	8	14	49	21	40	10	+0
100	89	111	M10	M20X1.5	30	137	35	39	46	26	18	G $\frac{1}{2}$	165	7	10	46	21	40	10	+0

Output Force

(Force in N : 1N = 0.1 kgf)

Cylinder bore Ø (mm)	Rod Ø (mm)		Working pressure in bar									
			2	3	4	5	6	7	8	9	10	
32	32	Extend	145	217	289	362	434	507	579	651	724	
		Retract	124	187	249	311	373	435	498	559	621	
40	40	Extend	226	339	452	565	678	792	905	1018	1130	
		Retract	190	285	380	475	570	665	760	855	950	
50	50	Extend	353	530	706	884	1060	1237	1414	1590	1767	
		Retract	297	445	594	742	891	1039	1187	1336	1484	
63	63	Extend	561	842	1122	1403	1683	1964	2244	2525	2805	
		Retract	505	757	1009	1261	1514	1766	2018	2270	2523	
80	80	Extend	905	1357	1809	2262	2714	3167	3619	4072	4524	
		Retract	816	1225	1633	2041	2449	2857	3266	3674	4082	
100	100	Extend	1414	2120	2828	3534	4241	4948	5655	6362	7069	
		Retract	1325	1988	2650	3313	3976	4640	5300	5965	6625	

PNEUMATIC CYLINDER IDENTIFICATION CHART

PRODUCT TYPE		PISTON Ø (MM)		STROKE (MM)		MOUNTINGS		VERSION	
C05	STANDARD CYLINDER	032	OD 32	025	STROKE 25	A	Basic	V0	VERSION 0
		040	OD 40	050	STROKE 50	B	Foot Mounting	V1	VERSION 1
		050	OD 50	080	STROKE 80	C	Front Flange	V2	VERSION 2
		063	OD 63	100	STROKE 100	D	Rear Flange	V3	VERSION 3
		080	OD 80	125	STROKE 125	E	Male Clevis	⋮	⋮
		100	OD 100	160	STROKE 160	F	Male Clevis (with spherical bearing)	V9	VERSION 9
				200	STROKE 200	G	Female Clevis	VA	VERSION 10
				250	STROKE 250	H	Female Clevis (King pin)	VB	VERSION 11
				300	STROKE 300	I	Rear Trunnion		
				320	STROKE 320	J	Front Trunnion		
				400	STROKE 400	K	Center Trunnion		
				500	STROKE 500				

C05040050BVO
STANDARD CYLINDER OD 40 mm-STROKE 50 mm-FOOT MOUNTING



IRRIGATION
SERIES

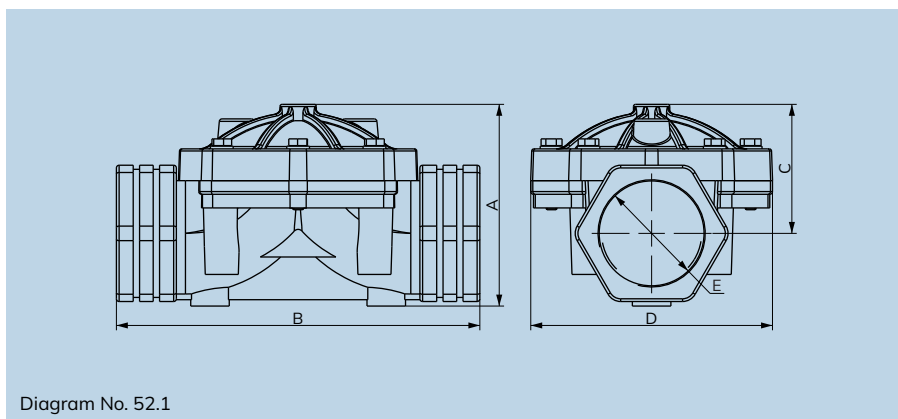
Diaphragm Valve Specifications

Port :	Refer below technical data sheet (Available BSPT / NPT)
End Connection :	Screwed
Body Material :	Nylon GF
Diaphragm :	Nitrile (NBR)
Max Media Temp :	60°C
Circumstance Temp :	-10°C to 60°C
Media :	Water
Main Features :	Internal Parts are in superior corrosion resistance steel, Suitable for irrigation.

2 Way - 3 Way Valve Specifications

Port :	Refer below technical data sheet (Available BSPT / NPT)		
End Connection :	Screwed		
Body Material :	Nylon GF		
Seal & 'O'Ring :	Nitrile (NBR)		
Max Media Temp :	5°C - 50°C		
Circumstance Temp :	-10°C to 50°C		
Media :	Water		
Main Features :	Internal Parts are in superior corrosion resistance steel, (Equivalent to SS316L) Suitable for irrigation.		
Operating Voltage :	24AC	12DC	24DC - Latching
Power Consumption :	8W	3W	8W - Latch, 3W - Delatch
Coil Features :	High Reliability Unaffected by Voltage Surges. Easy coil changes coil lockable in 4X90 position or freely movable in between as require.		
Other Specification Data :	Available on Request.		

Diaphragm Valve Specifications



Technical Data

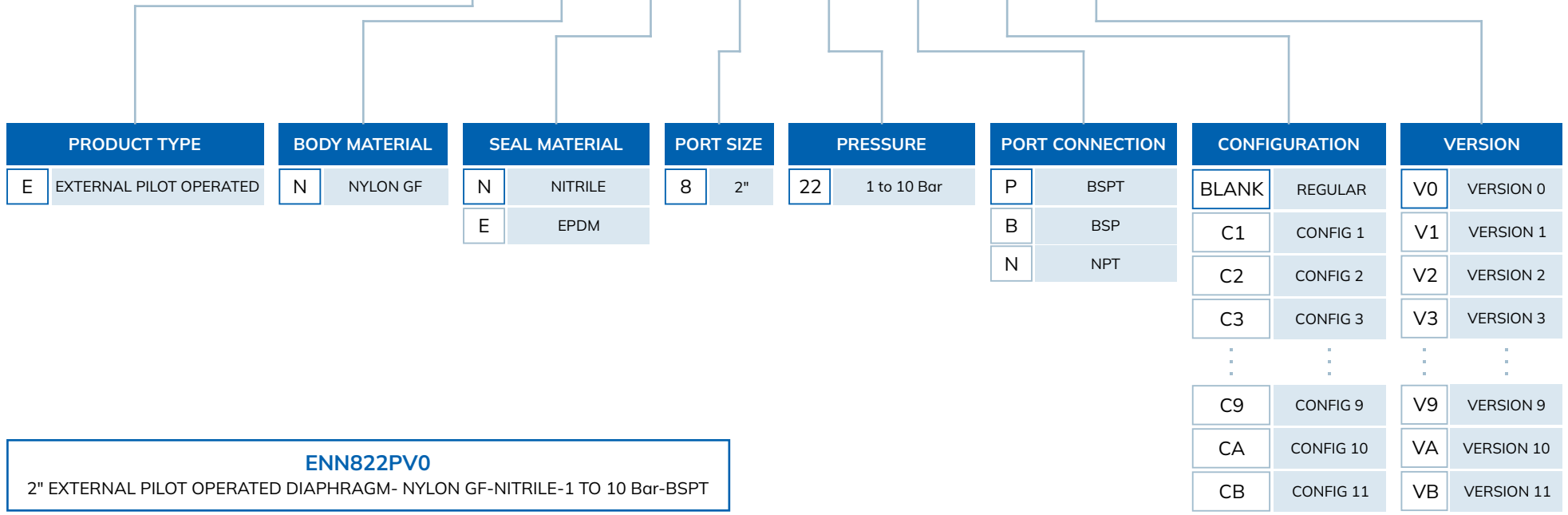
Model No.	Body Material	Pipe (Inch)	Min. Operating Pressure Kg/cm ²	Max. Operating Pressure Kg/cm ²	Seal & Diaphragm Material	Flow Factor Kv m ³ / hr
ENN622PV0	Nylon GF	1½"	1	10	NBR	60
ENN822PV0	Nylon GF	2"	1	10	NBR	70
ENN922PV0	Nylon GF	2½"	1	10	NBR	80
ENNA22PV0	Nylon GF	3"	1	10	NBR	90

Dimension (All dimensions in mm)

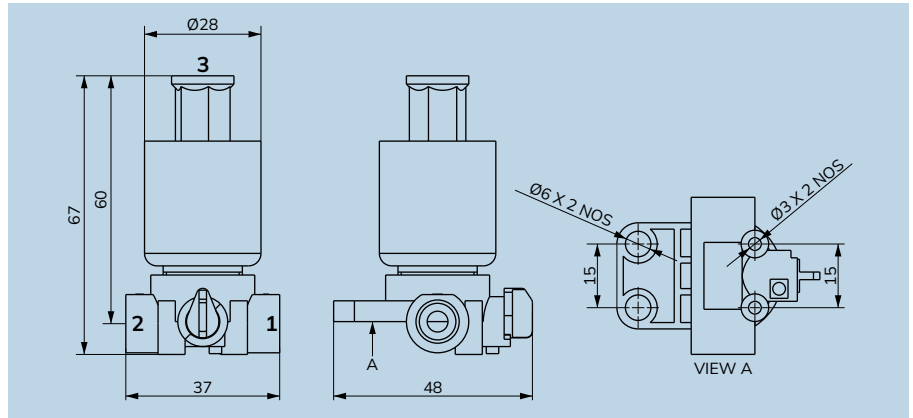
Model No.	Diagram No.	A	B	C	D	E
ENN622PV0	52.1	111	200	71	133	1½"
ENN822PV0	52.1	111	200	71	133	2"
ENN922PV0	52.1	138	250	87	160	2½"
ENNA22PV0	52.1	145	250	95	160	3"

EXTERNAL PILOT OPERATED DIAPHRAGM VALVE MODEL IDENTIFICATION CHART

E N N 8 22 P - V0



ENN822PV0
2" EXTERNAL PILOT OPERATED DIAPHRAGM- NYLON GF-NITRILE-1 TO 10 Bar-BSPT



Technical Data

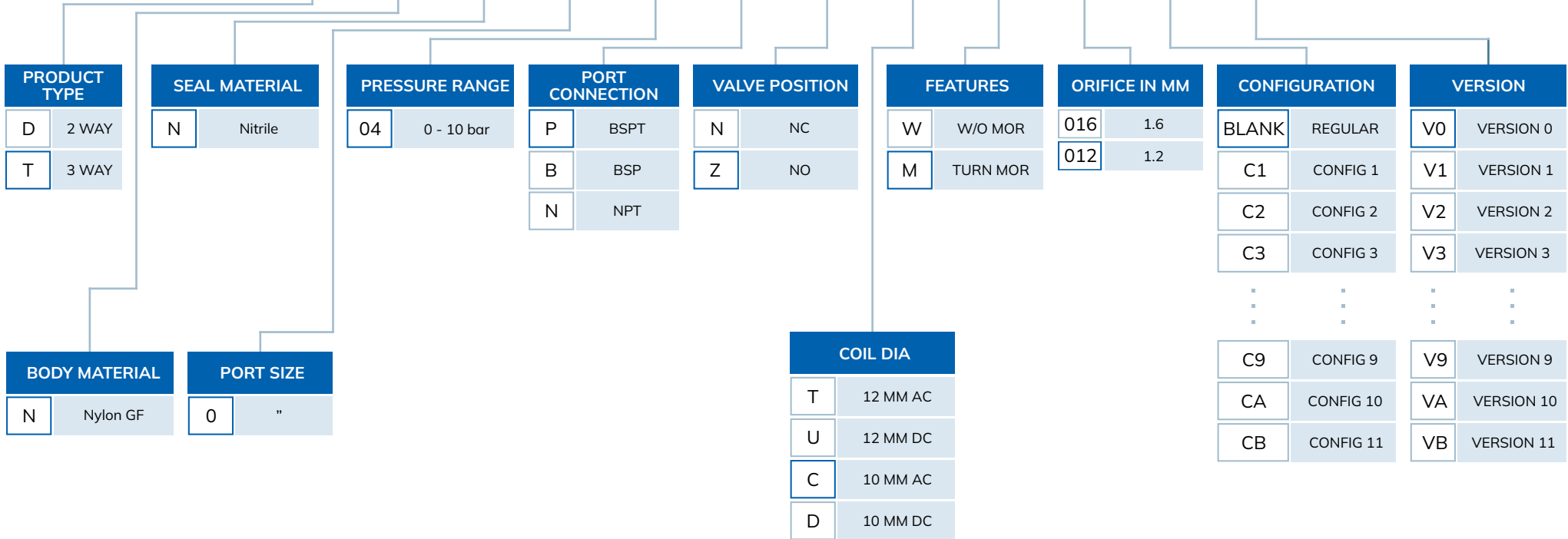
Model No.	Valve Type	Body Material	Pipe (Inch)	Orifice(mm)	Min. Operating Pressure Kg/cm ²	Max. Operating Pressure Kg/cm ²	Seal & Diaphragm Material	Flow Factor Kv m ³ / hr
DNN004PNDM016V0	2 Way	Nylon GF	1/8"	1.6	0	10	NITRILE (NBR)	0.07
TNN004PZCM012V0	3 Way	Nylon GF	1/8"	1.2	0	10	NITRILE (NBR)	0.042

Pipe Connection

Valve Position	Valve Type	Port No. - 1	Port No. - 2	Port No. - 3
Normally Close	3 Way	Input	Output	Exhaust
Normally Open	3 Way	Exhaust	Output	Input
Normally Close	2 Way	Output	Input	-

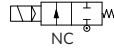
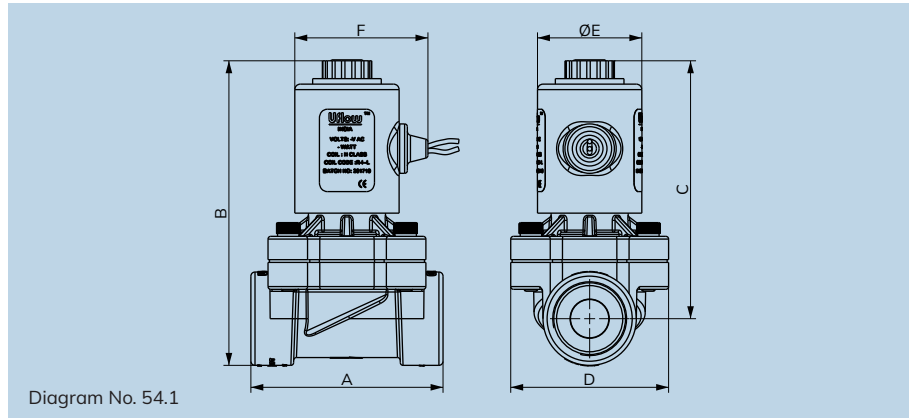
2 WAY - 3 WAY DIRECT ACTING PILOT SOLENOID VALVE MODEL IDENTIFICATION CHART

T N N 0 04 P Z C M 012 - V0



TNN004NZCM018V0

" 3 WAY DIRECT ACTING BRASS - NITRILE - 0 TO 10kg - BSPT - NO - 10mm AC - Turn MOR - 1.2mm ORIFICE



Specifications

Port :	Refer below technical data sheet (Available BSP / BSPT / NPT)		
End Connection :	Screwed		
Body Material :	Nylon GF		
Diaphragm :	Nitrile (NBR)		
Media Temp. :	5°C to 50°C		
Circumstance Temp. :	-10°C to 50°C		
Media :	Water, Irrigation		
Main Features :	Internal Parts are in superior corrosion resistance steel, (Equivalent to SS316L) Suitable for Food Industries, Pharmaceuticals, Chemical application & Highly corrosive environment.		
Operating Voltage :	<table border="1"> <tr> <td>110AC</td> <td>230AC</td> </tr> </table>	110AC	230AC
110AC	230AC		
Power Consumption :	<table border="1"> <tr> <td>11W</td> <td>10W</td> </tr> </table>	11W	10W
11W	10W		
Coil Features :	High Reliability Unaffected by Voltage Surges. Easy coil changes coil lockable in 4X90 position or freely movable in between as require.		
Coil Housing :	Epoxy square coil, Metallic round enclosure, IP-68 Weatherproof enclosure.		
Other Specification Data :	Available on Request		

NOTE: Use of filter in the inlet port is recommended.

Technical Data

Model No.	Body Material	Pipe (Inch)	Orifice (mm)	Min. Operating Pressure mbar	Max. Operating Pressure bar	Seal & Diaphragm Material	Flow Factor Kv m ³ / hr
MNN203BNEV0	Nylon GF	½"	16	0	7	NBR	2.1
MNN303BNEV0	Nylon GF	¾"	16	0	7	NBR	3
MNN413BNEV0	Nylon GF	1"	26	0	4	NBR	8.2

Dimension (All dimensions are in mm)

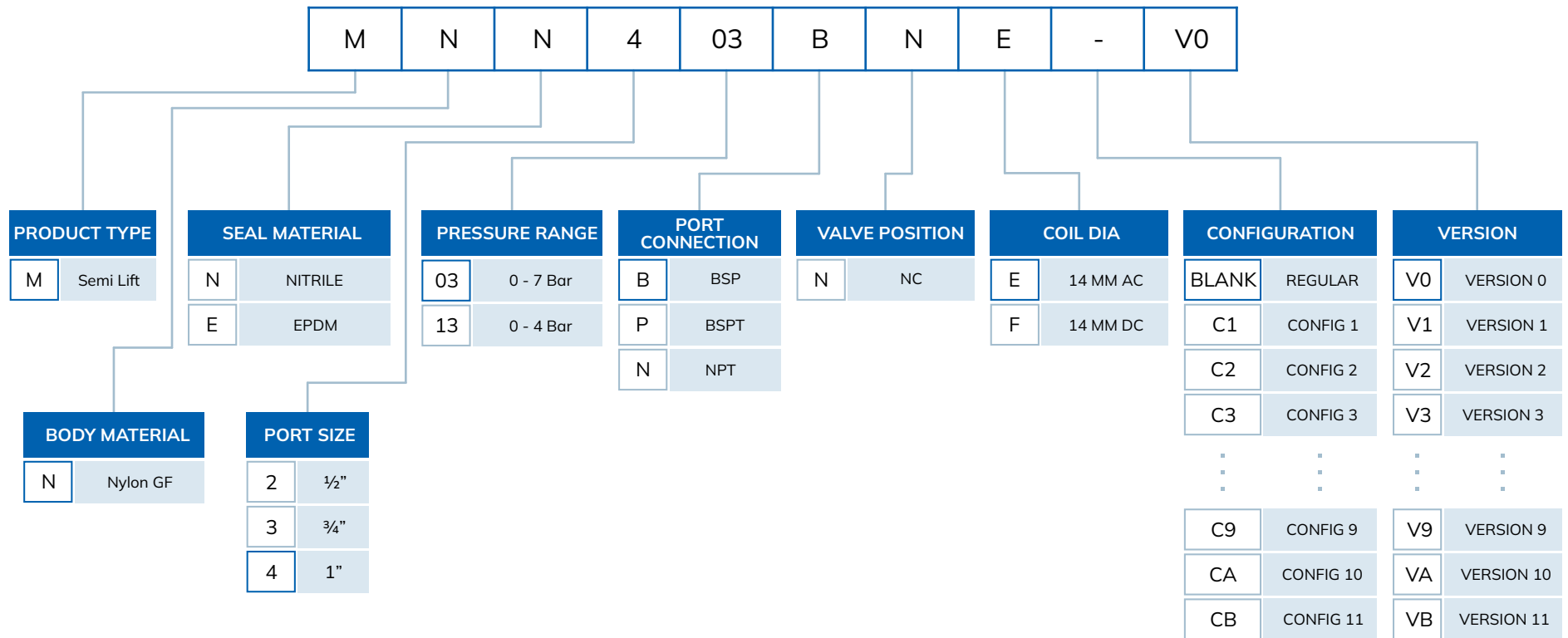
All Dimensions are approx.

Model No.	Port Size	Diagram No.	A	B	C	D	E	E1
MNN203BNEV0	½"	54.1	70	110	94	58	44	57
MNN303BNEV0	¾"	54.1	70	110	94	58	44	57
MNN413BNEV0	1"	54.1	107	122	101	77	44	57

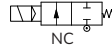
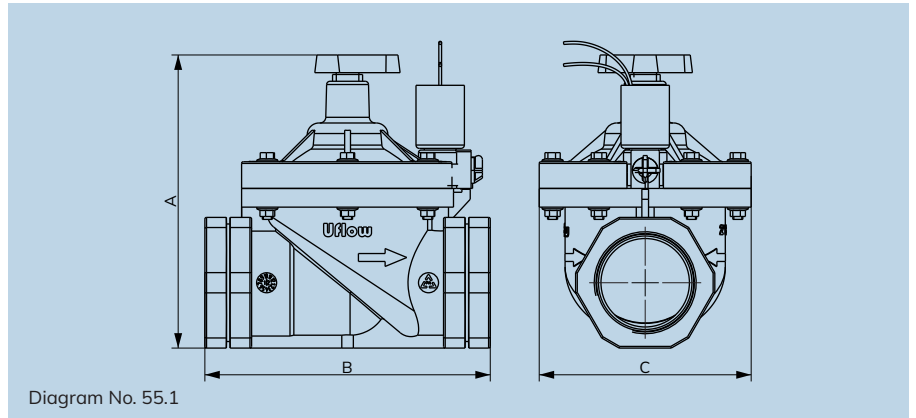
Section View



SEMI LIFT DIAPHRAGM OPERATED PLASTIC SOLENOID VALVE MODEL IDENTIFICATION CHART



MNNE403BNEV0
 1" SEMI LIFT DIAPHRAGM OPERATED NYLON - NITRILE - 0 TO 7kg - BSP-NC-14 MM AC



Specifications

Port :	Refer below technical data sheet (BSP/NPT)		
End Connection :	Screwed		
Body Material :	Nylon GF		
Max Media Temp :	5°C to 50°C		
Ambient Temp :	-10°C to 50°C		
Media :	Water		
Operating Voltage :	24AC	24DC	12DC
Power Consumption :	8W	8W	8W
Coil Features :	High Reliability Unaffected by Voltage Surges. Easy coil changes coil lockable in 4X90 position or freely movable in between as require.		
Coil Housing :	Epoxy square coil, Metallic round enclosure, IP-68 Weatherproof enclosure.		
Other Specification Data :	Available on Request		

Dimension (All dimensions are in mm)

All Dimensions are approx.

Model No.	Port Size	Diagram No.	A	B	C
PNN306BNTFV0	¾"	55.1	108	110	81
PNN406BNTFV0	1"	55.1	114	110	81
PNN606BNTFV0	1½"	55.1	180	160	126
PNN806BNTFV0	2"	55.1	190	170	126

Section View



NOTE: Use of filter in the inlet port is recommended.

Feature

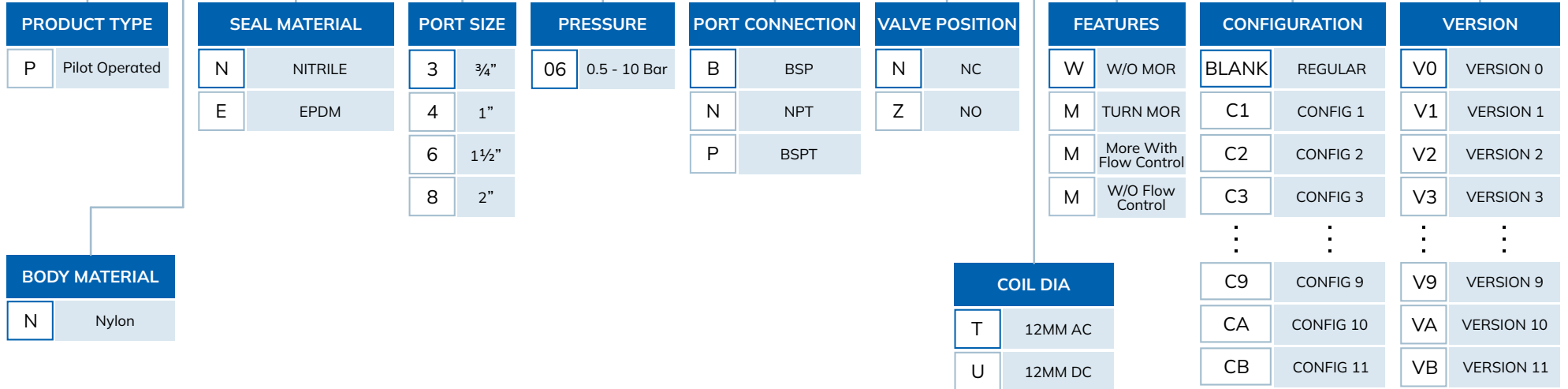
- Inbuilt Flow Control Capabilities.
- Manual Override in All The Valve.
- Pressure Below Seat to Reduce Water Hummer.
- Low Head Loss With High Flow.

Technical Data

Model No.	Body Material	Pipe (Inch)	Orifice (mm)	Min. Operating Pressure mbar	Max. Operating Pressure bar	Seal & Diaphragm Material	Flow Factor Kv m³ / hr
PNN306BNTFV0	Nylon GF	¾"	20	0.5	10	NBR	8
PNN406BNTFV0	Nylon GF	1"	25	0.5	10	NBR	12
PNN606BNTFV0	Nylon GF	1½"	40	0.5	10	NBR	23
PNN806BNTFV0	Nylon GF	2"	52	0.5	10	NBR	38

PILOT OPERATED PLASTIC SOLENOID VALVE MODEL IDENTIFICATION CHART

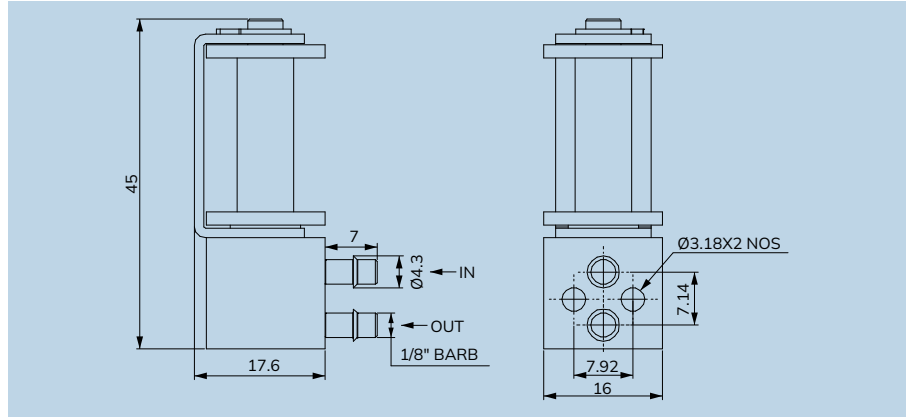
P N N 3 06 B N T W - V0



PNN306BNTWV0
 ¾"PILOT OPERATED DIAPHRAGM- Nylon - NITRILE - 0.5 TO 10 Bar-BSP-NC-12MM AC- W/OMOR



MEDICAL VALVES & REGULATOR
SERIES



Specifications

Valve Type:	2 Way Normally Closed
Port:	1/8" BARB, Manifold Mounting
Body Material:	Brass
Seal:	NBR Optional FKM, Viton
Media:	Air, Oxygen, Nitrous Oxide, Carbon Dioxide, Heliox & Other Medical Gases
Main Features :	Flow adjustment, Opening time adjustment, Quick release initial flow adjustment
LPM:	6LPM @ 10PSI Differential Pressure
Operating Environment:	32°F to 132°F (0°C to 55°C)
Storage Temperature:	-40°F to 158°F (-40°C to 70°C)
Dimensions:	L-17.6mm, W-16mm, H-45mm
Weight:	58g
Power:	9V DC (2 Watts)
Electric Termination:	15" Lead Wire
Stem Base:	Stainless steel
All Others:	NBR/FKM, Stainless Steel, Stainless Steel, Aluminium(Manifold)

Features

- Low power consumption generates less heat
- Proven performance tested to 100 million life cycles
- Uses either DC current or pulse width modulation with closed loop feedback to deliver optimal system performance.

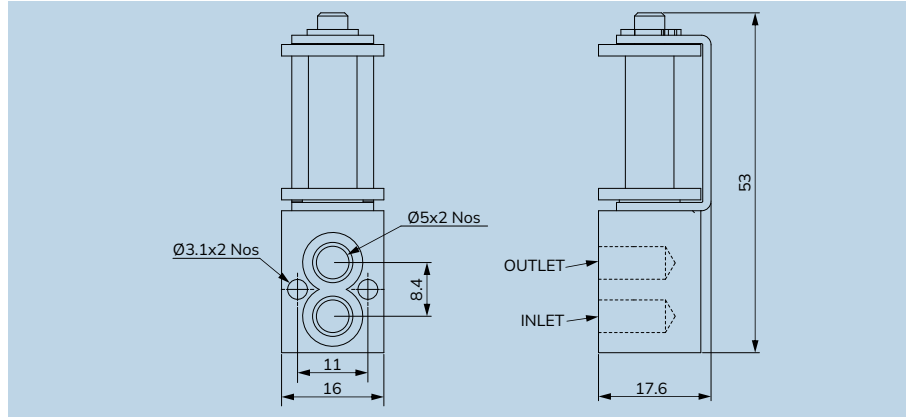
Applications

- Ventilators
- Anesthesia Delivery & Monitors
- Insufflators
- Pressure and Flow Control

Performance Characteristics

Leak Rate:	<0.2 sccm of helium (bubble tight)
Hysteresis:	25% of full scale current (Max)
Response time:	10ms Typical
Reliability:	100 Million Cycles, 0.95 Reliability Factor, 95% Confidence Interval

NOTE: Contact for customized configuration: eg custom calibration and electrical connections.



Specifications

Valve Type:	2 Way Normally Closed
Port:	Manifold Mounting
Body Material:	Brass
Seal:	NBR Optional FKM
Media:	Air, Oxygen, Nitrous Oxide, Carbon Dioxide, Heliox & Other Medical Gases
LPM:	150LPM @ 35PSI Differential Pressure
Operating Environment:	32 °F to 132 °F (0 °C to 55 °C)
Storage Temperature:	-40 °F to 158 °F (-40 °C to 70 °C)
Dimensions:	L-17.6mm, W-16mm, H-53mm
Weight:	56g
Power:	12V DC (2.5 Watts)
Electric Termination:	15" Lead Wire
Stem Base:	Stainless steel
All Others:	NBR/FKM, Stainless Steel, Stainless Steel, Aluminium(Manifold)

Features

- Low power consumption generates less heat
- Proven performance tested to 100 million life cycles
- Uses either DC current or pulse width modulation with closed loop feedback to deliver optimal system performance.

Applications

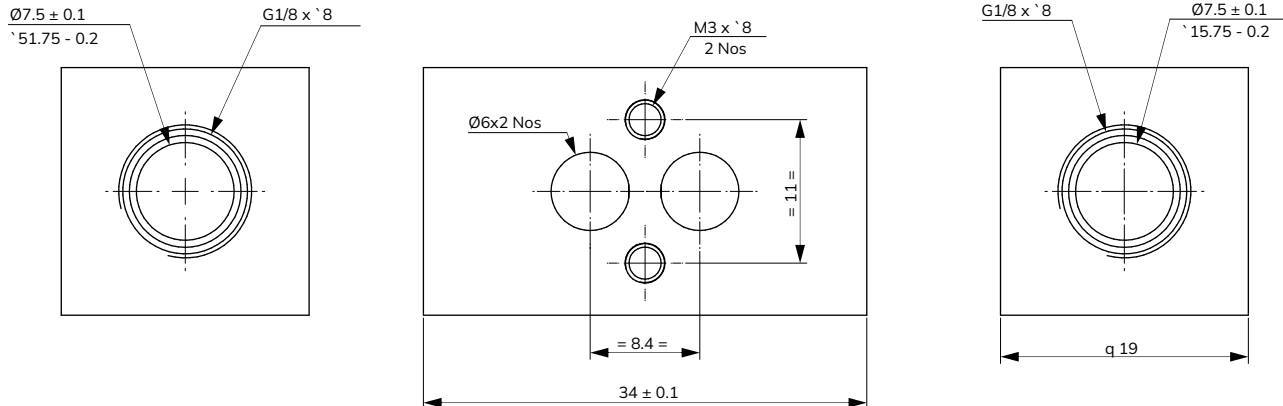
- Ventilators
- Anesthesia Delivery & Monitors
- Insufflators
- Pressure and Flow Control

Performance Characteristics

Leak Rate:	The leakage shall not exceed the following values: Internal: 5.0 sccm of Air up to 101 psi (7 bar) External: 0.5 sccm of Air up to 101 psi (7 bar)
Hysteresis:	25% of full scale current (Max)
Response time:	10ms Typical
Reliability:	100 Million Cycles, 0.95 Reliability Factor, 95% Confidence Interval

NOTE: Contact for customized configuration: eg custom calibration and electrical connections.

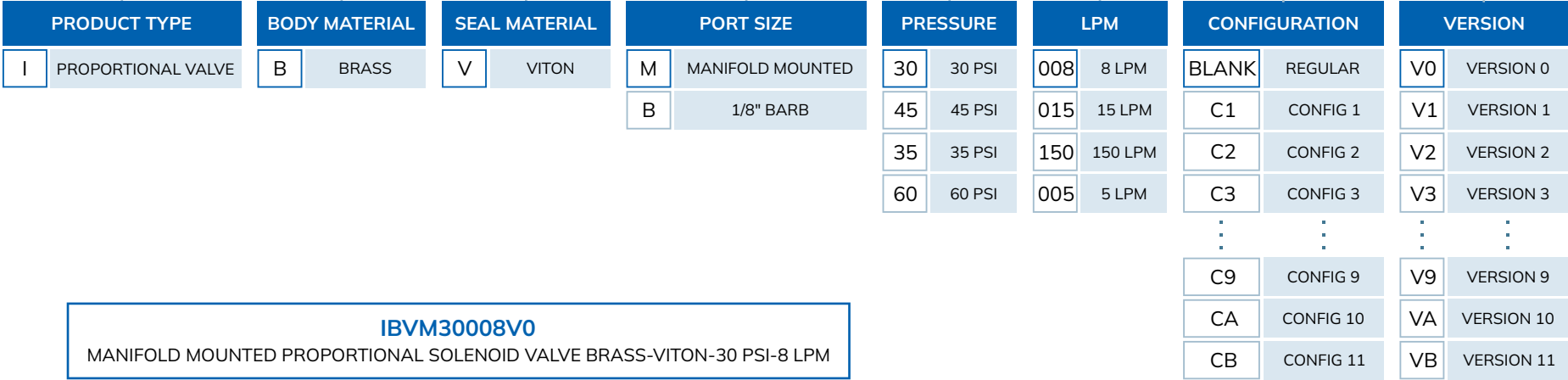
Manifold Dimensions



NOTE: In order to provide the best possible solution for your application, please provide the following requirements when contacting Applications Engineering: Media, Inlet & Outlet Pressures System Supply Voltage Minimum Required Flow Rate Media & Ambient Temperature Range

PROPORTIONAL SOLENOID VALVE MODEL IDENTIFICATION CHART

I B V M 30 008 - V0



IBVM30008V0
 MANIFOLD MOUNTED PROPORTIONAL SOLENOID VALVE BRASS-VITON-30 PSI-8 LPM



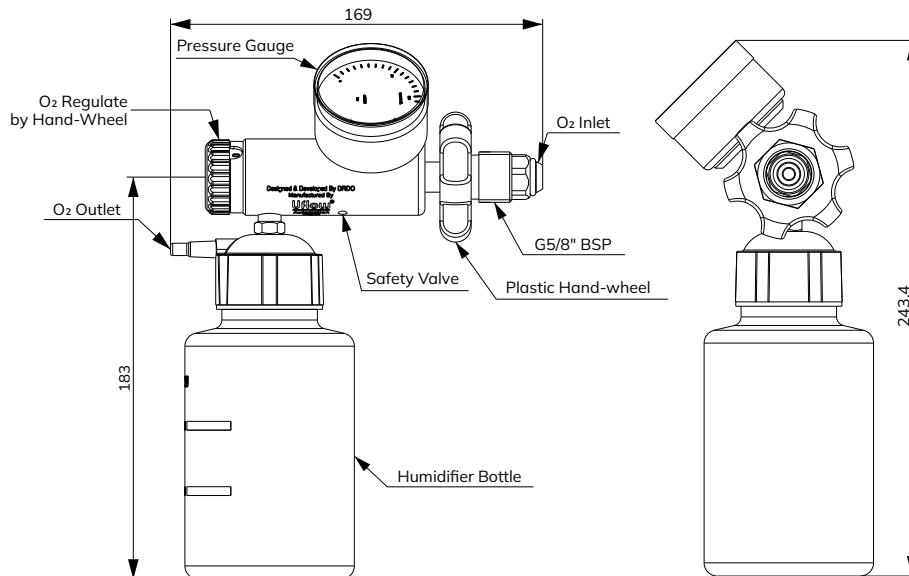
Specifications

Media	Medical Oxygen (O ₂)
Inlet Pressure	Up to 150 bar
Nominal Outlet Pressure	0 - 60 psi
Inlet Connection	G5/8" BSP
Flow range	0 - 15 lpm / 0 - 25 lpm
Body Material	Aluminium anodize
Filter	40 micron
Dial	Plastic white, black lettering
Dial Size	50 mm
Flow setting	12 Steps (including zero position)
Operating temperature	-10°C to 180°C
Sealing material	Viton
Design Standard	IS/ISO 10524-1:2018

Features

- Pressure regulator with humidifier
- Good grip, easily operated hand-wheel
- Teflon taped cylinder connection
- Brass construction
- Easy to clean
- Flow control unit
- Flow-meter with a stop at 0
- Preset integrated pressure relief valve (Above 180bar)
- Easy to assemble humidifier
- Ergonomic plastic hand-wheel on inlet connection for easily attach with cylinder by hand

Dimension Drawing (All dimensions in mm)



*Oxygen Cylinder displayed is for representation only

Scribble Note....

A series of horizontal dashed lines spanning the width of the page, intended for writing notes. The lines are evenly spaced and extend across the entire width of the page.

Our Clients



Global Presence...



Made In India



CONTACT US:

✉ sales@uflowvalve.com 📞 +91 89059 07070 📠 +91-2827-254343 🌐 www.uflowvalve.com

📍 Uflow Automation, Ankur Industrial Complex, Sur vey No: 275/276, Plot No: 31, Nr. Intol Cast Pvt. Ltd. Shapar(Veraval) Dist.: Gujarat (India) - 360 024.