

Special Features:

- Cost effective
- Dry or liquid filled
- Standard followed in general EN 837-1

Applications:

- Compressors
- Diesel Engines
- Gaseous / Liquid Media
- Pneumatics
- Hydraulics
- Pumps

Standard Version:

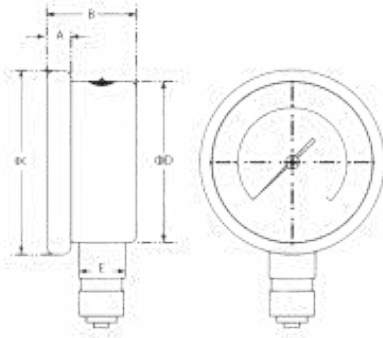
Nominal Size: 63, 80, 100 & 150mm



Accuracy class	1.6 (63, 80mm), 1.0 (100, 150mm)
Ambient temperature	- 20°C to +65°C
Process temperature	Max. 120°C
Operating pressure range	75% of scale value
Over pressure limit	< 100 bar : 125% of Max. scale value > 100 to <600 bar : 115% of Max. scale value
Case & Bezel	AISI 304 SS (Crimped Bezel)
Bourdon	Copper alloy up to 70 kg/cm' AISI 316L SS for 100 kg/cm' & above
Socket	Copper alloy
Movement	Copper alloy
Joints	Alloy brazing / soldering
Protection	IP 65
Dial	Aluminium, black graduation on white background
Pointer	Aluminium, black coloured fixed
Window	Plexi glass
Filling plug	Neoprene
Gasket	Neoprene
Blow off disc	Neoprene

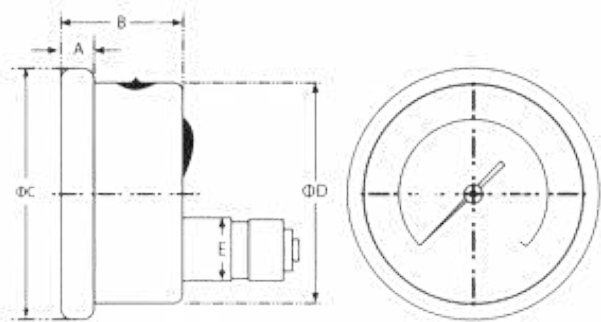
DIMENSIONS - STANDARD VERSION

TYPE A (Crimped Bezel)



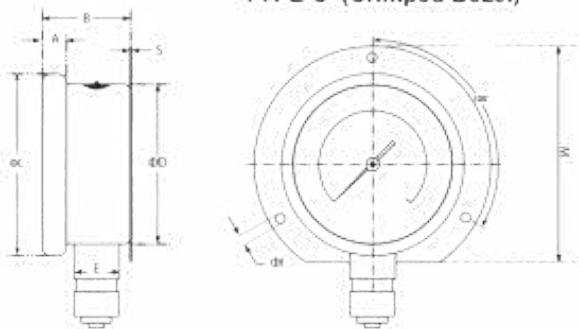
NS	A	B	ΦC	ΦD	E
63	6.5	31	68	62	14
80	6.7	33	87	80	14
100	9.2	49	108.5	100	22

TYPE D (Crimped Bezel)



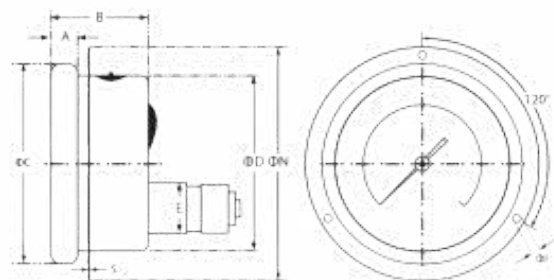
NS	A	B	ΦC	ΦD	E
63	6.5	31	68	62	14
80	6.7	33	87	80	14
100	9.2	49	108.5	100	22

TYPE C (Crimped Bezel)



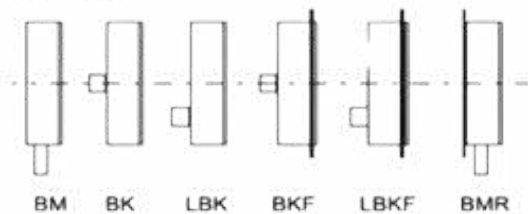
NS	A	B	ΦC	ΦD	E	M	S
63	6.5	31	68	62	14	80	1
80	6.7	33	87	80	14	102.3	1
100	9.2	49	108.5	100	22	121	1

TYPE E (Crimped Bezel)



NS	A	B	ΦC	ΦD	E	ΦN	S
63	6.5	31	68	62	14	86	1
80	6.7	33	87	80	14	110	1
100	9.2	49	108.5	100	22	131	1

MOUNTING TYPE



- BM** - Bottom Connection
- BK** - Centre Back Connection
- LBK** - Off Centre Back Connection
- BKF** - Centre Back Connection with Front Flange (Panel Mounting)
- LBKF** - Off Centre Back Connection with Front Flange (Panel Mounting)
- BMR** - Bottom Connection Back Flange (Surface Mounting)

Notes : *Drawings are not to scale. * All Dimensions are in mm. + NS = Nominal Size.