

Special Features:

- External Zero Adjustment (Optional)
- Stainless Steel Case & Measuring System
- Socket Directly Welded To Case
- Dry And Liquid Filled Version
- Standard Followed In General EN 837-1 (For Ns 100, 150 & 250 Mm)



Applications:

- Engine Compressors
- Food & Beverage
- Pharmaceutical
- Cryogenics
- Chemical
- Turbines
- Presses
- Petrochemical Industries
- Hydro-cleaning Machines
- Diesel Engines & refrigerating Plants.
- Conventional & Nuclear Power Plants Pumps
- Suitable For Corrosive Environments & Gaseous Or Liquid Media That Will Not Obstruct The Pressure System

Standard Version:

Nominal Size : 63, 100, 150, 250mm

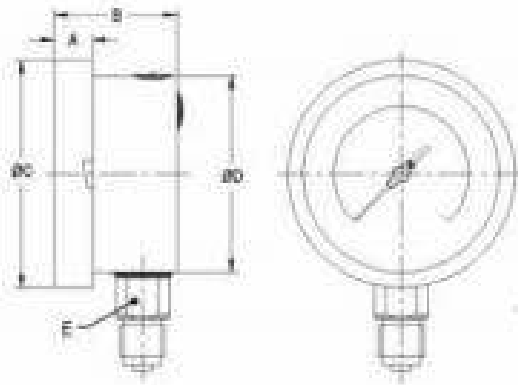
Accuracy class	1.6% (63 & 80mm), 1.0% (100, 150 & 250 mm)
Scale ranges	0...0.6 to 0...1600 bar
Ambient temperature	- 40°C to + 60°C
Process temperature	Max 200°C
Operating pressure range	75% of Full scale value
Temperature effect	When temperature of the measuring system deviates from reference temperature (+20°C) max error +0.4% / 10K of true scale value
Over pressure limit	≤ 100 bar : 125% of Max. scale value > 100 to ≤ 600 bar : 115% of Max. scale value > 600 to ≤ 1600 bar : 110% of Max. scale value
Case	AISI 304 SS [With filling plug of neoprene on top to be used also to vent case before use for range ≤ 16 bar]
Ring	AISI 304 SS, Bayonet type
Socket	AISI 316L SS (Directly welded to case)
Bourdon	AISI 316L SS [< 100 bar : C - type; ≤ 100 bar : Helical type]
Movement	AISI 304 SS [with over and underload stop; free zero]
Joints	Tig argon arc welding
Protection	IP 65 [IP65 – EN 60 529 / IEC 529]
Dial	Aluminium, black graduation on white background, dial arc 270 °C.
Pointer	Aluminium, black coloured micrometer zero adjustable
Window	Safety glass
Gasket	Neoprene rubber
Blow out	Neoprene rubber

GLYCERINE FILLED VERSION

Ambient temperature	Maximum 65°C
Process temperature	+15 °C/ 100°C maximum
Blow out	Plexi glass
Dampening liquids	Glycerine 98% (others available as option)
Other features	Refer specification of standard version

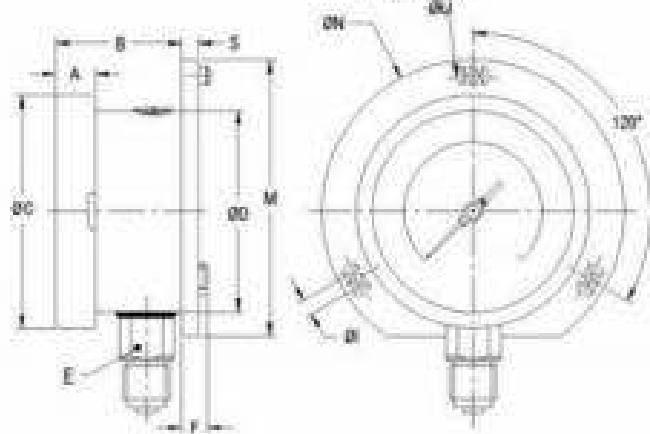
Dimensions - Standard Version

TYPE A



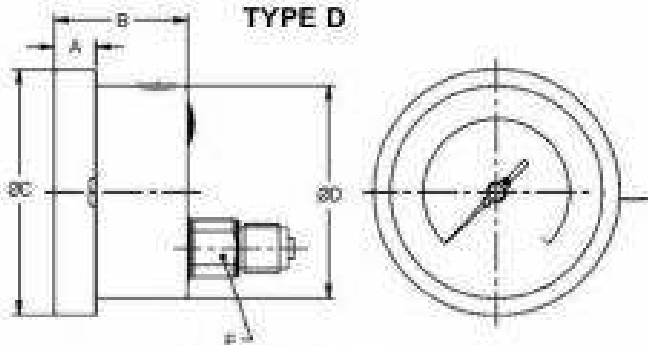
NS	A	B	ØC	ØD	E	Weight in gram (With Box)
100	12.5	48	111	100	22	640.0
150	15	49	161	149	22	1020.0
250	14.5	49.5	263	250	22	2000.0

TYPE C



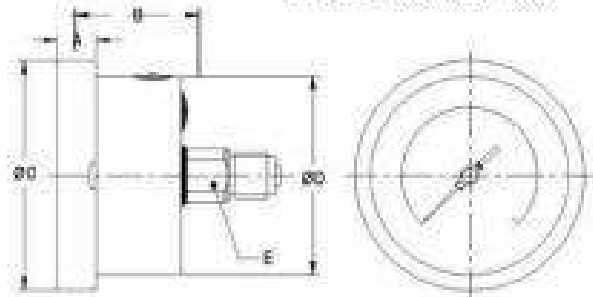
NS	A	B	ØC	ØD	E	M	S	F	ØI	ØN	ØU	Weight in gram (With Box)
100	12.5	48	111	100	22	128	6	14.5	6	134	118	720.0
150	15	49	161	149	22	174.5	6	14.5	6	186	168	1160.0
250	14.5	49.5	263	250	22	288.5	1.5	14.5	7	280	276	2400.0

TYPE D

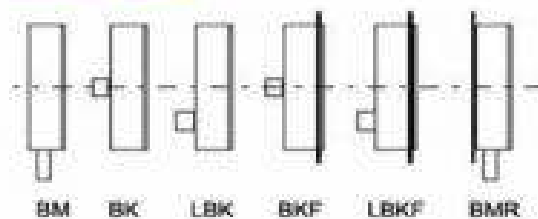


NS	A	B	ØC	ØD	E	Weight in gram (With Box)
100	12.5	48	111	100	22	640.0
150	15	49	161	149	22	1000.0
250	14.5	49.5	263	250	22	1800.0

TYPE D (63/80mm)



MOUNTING TYPE



- BM** - Bottom Connection
- BK** - Centre Back Connection
- LBK** - Off Centre Back Connection
- BKF** - Centre Back Connection with Front Flange (Panel Mounting)
- LBKF** - Off Centre Back Connection with Front Flange (Panel Mounting)
- BMR** - Bottom Connection Back Flange (Surface Mounting)

Notes : *Drawings are not to scale. * All Dimensions are in mm. *NS = Nominal Size.